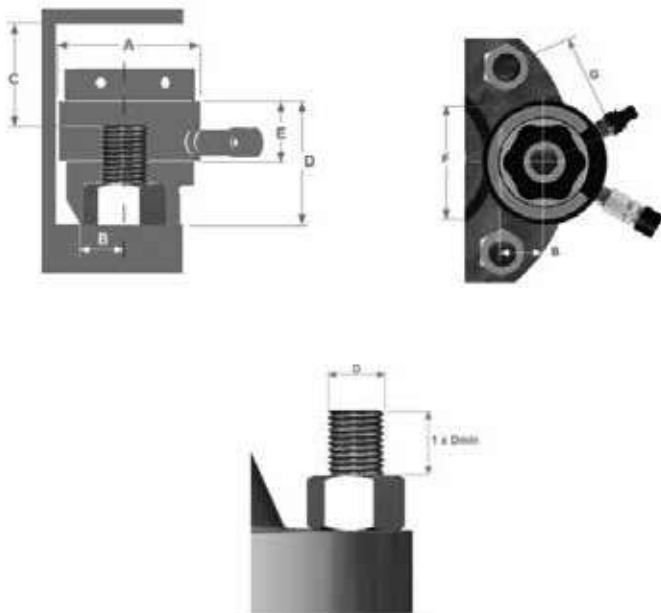


# BTG SERIES Hydraulic Bolt Tensioners



## Features

- Light weight and compact structure suits operations in small space.
- Special steel body and advanced surface treatment with perfect rust and corrosion resistance.
- Strong versatility and high adaptability
- Synchronous application available.
- Default maximum working pressure of 21750psi fits high pressure manual pump, high pressure pneumatic pump and high pressure electric pump.



**Bolt Range: 3/4" - 4" M20-M100**

**Load Capacity: 22.9-265.3tons**

**Stroke: 0.4-0.6inch**

**Max. Operating Pressure: 21,750psi**

### Ordering Example

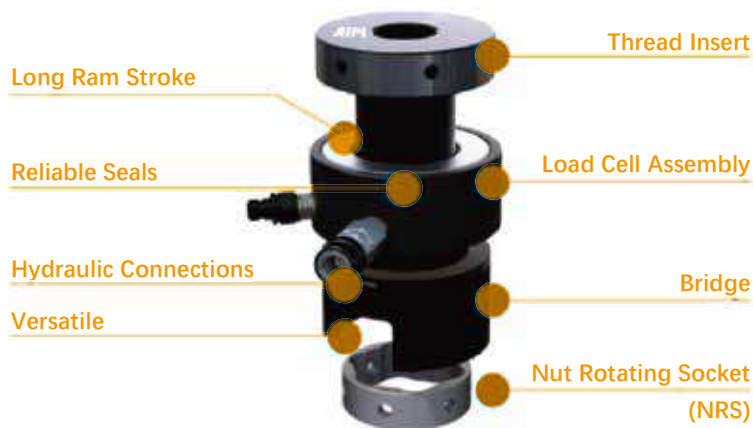
Please select the adaptor kit with the load cell.

Example, to order a complete tensioner for a 3/4" -10UNC threaded bolt order :

- Load cell: BTG1
- Adaptor kit: BTG1-0750 U10

If you also want a stretch cylinder to fit a variety of bolt specifications, please select a variety of stretch heads according to the parameter list.

Load Cell Model Number	Adaptor Kit Model Number	Thread Size	
	Imperial	Inch	
BTG1	BTG1-0750 U10	3/4" - 10UNC	
	BTG1-0875 U09	7/8" -9UNC	
	BTG1-1000 U08	1" -8UN	
	BTG1-1125 U08	1.1/8 " -8UN	
BTG2	BTG2-1125 U08	1.1/8 " -8UN	
	BTG2-1250 U08	1.1/4" -8UN	
	BTG2-1375 U08	1.3/8" -8UN	
BTG3	BTG2-1500 U08	1.1/2" -8UN	
	BTG3-1500 U08	1.1/2" -8UN	
	BTG3-1625 U08	1.5/8" -8UN	
	BTG3-1750 U08	1.3/4" -8UN	
BTG4	BTG3-1875 U08	1.7/8" -8UN	
	BTG3-2000 U08	2" -8UN	
	BTG4-1875 U08	1.7/8" -8UN	
	BTG4-2000 U08	2" -8UN	
BTG5	BTG4-2250 U08	2.1/4" -8UN	
	BTG4-2500 U08	2.1/2" -8UN	
BTG6	BTG5-2500 U08	2.1/2" -8UN	
	BTG5-2750 U08	2.3/4" -8UN	
	BTG5-3000 U08	3" -8UN	
BTG6	BTG6-3000 U08	3" -8UN	
	BTG6-3250 U08	3.1/4" -8UN	
	BTG6-3500 U08	3.1/2" -8UN	
	BTG6-3750 U08	3.3/4" -8UN	
	BTG6-4000 U08	4" -8UN	



**Selected pump**

**Ultra-High Pressure Electric Pump**

ETTP series ultra-high pressure electric pump can be selected.



**Ultra-High Pressure Air Pump**

PTP series ultra-high pressure air pump can be selected.



**Hand Pump**

Optional HP series manual pump, HP16-1, HP16-3 for bolt tensioners. See the section of hydraulic pumps for details. For details, please refer to the section "hydraulic pumps".



	Thread Size	Adaptor Kit Model Number	Bolt Load		Ram Area	Stroke	Weight	A	B	C	D	E	F	G	
	mm	Metric	Kn	Ton	In <sup>2</sup>	inch	lbs	inch							
	M20x2.5	BTG1-M2025	227.80	22.86	2.35	0.4	4	2.9	0.83	2.64	2.80	1.77	2.44	1.95	
	M22x2.5	BTG1-M2225							0.94	2.52	2.80		2.48	2.10	
	M24x3	BTG1-M2430							0.94	2.72	3.07		2.72	2.30	
	M27x3	BTG1-M2730							0.94	2.60	3.10		2.90	2.50	
	M27x3	BTG2-M2730	443.00	44.46	4.58	0.6	11	4.02	1.06	3.35	3.62	2.13	3.23	2.66	
	M30x3.5	BTG2-M3035							1.26	3.35	3.66		3.35	2.72	
	M33x3.5	BTG2-M3335							10	1.22	3.30		3.74	3.35	2.83
	M36x4	BTG2-M3640							10	1.34	3.30		3.86	3.58	3.07
	M39x4	BTG2-M3940	810.85	81.38	8.38	0.6	21	5.24	1.44	3.86	4.29	2.2	3.54	3.15	
	M39x4	BTG3-M3940							1.48	3.66	4.20		3.82	3.30	
	M42x4.5	BTG3-M4245							20	1.60	3.88		4.57	4.33	3.64
	M45x4.5	BTG3-M4545							21	1.67	3.74		4.57	4.53	3.86
	M48x5	BTG3-M4850	1273.16	127.78	13.16	0.6	35	6.42	1.97	3.68	4.60	2.24	4.72	4.17	
	M48x5	BTG4-M4850							1.71	4.17	4.65		5.12	4.25	
	M52x5	BTG4-M5250							35	1.81	4.04		4.60	4.88	4.25
	M56x5.5	BTG4-M5655							40	2.17	4.06		4.84	5.28	4.67
	M60x5.5	BTG4-M6055	1829.00	183.56	18.90	0.6	50	7.6	2.13	4.78	5.73	2.36	5.90	5.00	
	M64x6	BTG4-M6460							33	2.28	4.04		5.12	5.79	5.14
	M64x6	BTG5-M6460							52	2.52	4.23		5.24	5.79	5.14
	M68x6	BTG5-M6860							54	3.15	4.37		5.55	6.30	5.43
	M72x6	BTG5-M7260	2643.43	265.30	27.32	0.6	85	9.17	2.83	4.53	5.80	2.52	6.34	5.63	
	M76x6	BTG5-M7660							49	3.03	4.25		5.75	6.69	6.02
	M76x6	BTG6-M7660							84	3.07	4.60		6.06	6.69	6.02
	M80x6	BTG6-M8060							84	3.07	4.50		6.06	7.00	6.12
	M85x6	BTG6-M8560	2643.43	265.30	27.32	0.6	82	9.17	3.39	4.50	6.30	2.52	7.17	6.52	
	M90x6	BTG6-M9060							82	3.90	4.57		6.60	7.52	6.87
	M95x6	BTG6-M9560							82	3.90	4.57		6.60	8.27	7.22
	M100x6	BTG6-M10060							80	4.13	4.57		6.85	8.66	7.87