

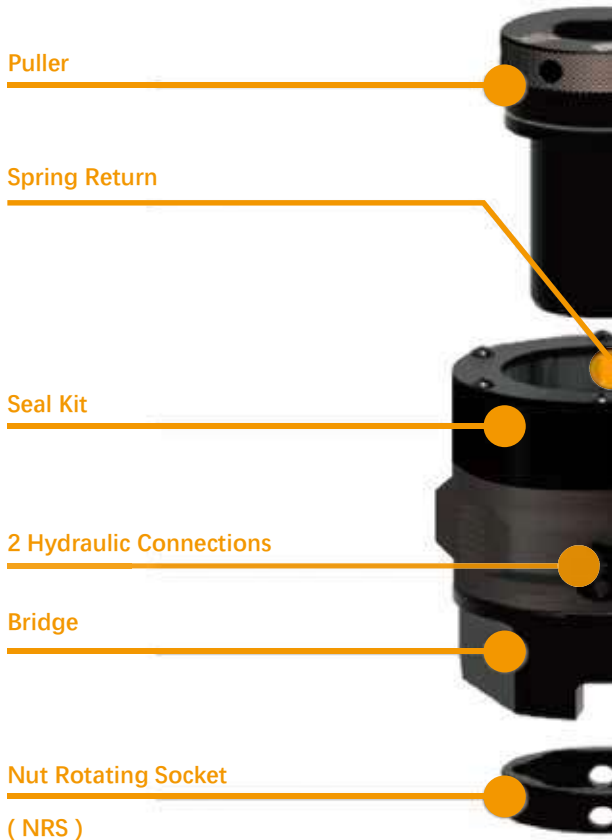
# BTS SERIES Hydraulic Bolt Tensioners



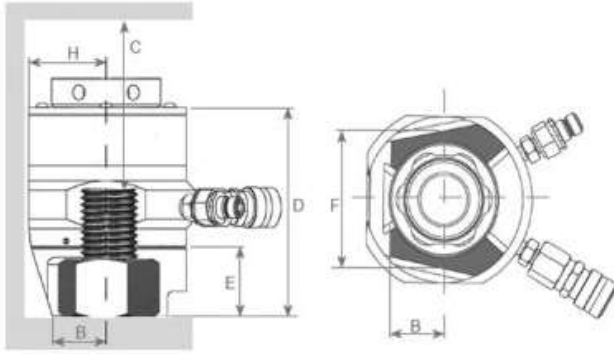
- Bolt Range: 3/4" - 4" M20-M100**
- Load Capacity: 18-312tons**
- Stroke: 0.6inch**
- Max. Operating Pressure: 21,750psi**

## Features

- Light weight and compact structure suits operations in small space.
- Special steel body and advanced surface treatment with perfect rust and corrosion resistance.
- Strong versatility and high adaptability.
- Synchronous application available.
- Interchangeable, spring reset.
- Default maximum working pressure of 21750psi fits high pressure manual pump, high pressure pneumatic pump and high pressure electric pump.



Load Cell Model Number	Adaptor Kit Model Number	Thread Size	
	Imperial	Inch	
BTS1	BTS1-0750 U10	3/4"-10UNC	
	BTS1-0875 U09	7/8"-9UNC	
BTS2	BTS2-0750 U10	3/4"-10UNC	
	BTS2-0875 U09	7/8"-9UNC	
	BTS2-1000 U08	1"-8UN	
BTS3	BTS3-0875 U09	7/8"-9UNC	
	BTS3-1000 U08	1"-8UN	
	BTS3-1125 U08	1.1/8"-8UN	
BTS4	BTS3-1250 U08	1.1/4"-8UN	
	BTS4-1125 U08	1.1/8"-8UN	
	BTS4-1250 U08	1.1/4"-8UN	
BTS5	BTS4-1375 U08	1.3/8"-8UN	
	BTS4-1500 U08	1.1/2"-8UN	
	BTS5-1375 U08	1.3/8"-8UN	
BTS6	BTS5-1500 U08	1.1/2"-8UN	
	BTS5-1625 U08	1.5/8"-8UN	
	BTS5-1750 U08	1.3/4"-8UN	
BTS7	BTS6-1625 U08	1.5/8"-8UN	
	BTS6-1750 U08	1.3/4"-8UN	
	BTS6-1875 U08	1.7/8"-8UN	
BTS8	BTS6-2000 U08	2"-8UN	
	BTS7-1875 U08	1.7/8"-8UN	
	BTS7-2000 U08	2"-8UN	
BTS9	BTS7-2250 U08	2.1/4"-8UN	
	BTS7-2500 U08	2.1/2"-8UN	
	BTS8-2250 U08	2.1/4"-8UN	
BTS10	BTS8-2500 U08	2.1/2"-8UN	
	BTS8-2750 U08	2.3/4"-8UN	
	BTS8-3000 U08	3"-8UN	
BTS10	BTS9-2750 U08	2.3/4"-8UN	
	BTS9-3000 U08	3"-8UN	
	BTS9-3250 U08	3.1/4"-8UN	
BTS10	BTS9-3500 U08	3.1/2"-8UN	
	BTS10-3250 U08	3.1/4"-8UN	
	BTS10-3500 U08	3.1/2"-8UN	
	BTS10-3750 U08	3.3/4"-8UN	
	BTS10-4000 U08	4"-8UN	



**Ordering Example**

Please select the stretching head matching with the stretching cylinder.

Example, to order a complete tensioner for a 3/4" -10UNC threaded bolt order :

- Load cell: BTS1
- Adaptor kit: BTS1-0750 U10

If you also want a stretch cylinder to fit a variety of bolt specifications, please select a variety of stretch heads according to the parameter list.

	Thread Size	Adaptor Kit Model Number	Bolt Load		Ram Area	Stroke	Weight	A	B	C	D	E	F	G	H
	mm	Metric	Kn	Ton	In <sup>2</sup>	inch	lbs	inch							
	M20x2.5	BTS1-M2025	180.25	18.09	1.86	0.60	6	2.83	0.85	3.54	3.92	2.70	2.43	1.93	1.42
	M22x2.5	BTS1-M2225					6		0.97	3.51	3.97		2.83	2.26	
	M20x2.5	BTS2-M2025	236.06	23.69	2.44	0.60	7	3.17	0.83	3.54	3.92	2.70	2.35	1.93	1.53
	M22x2.5	BTS2-M2225					7		0.98	2.33	3.97		2.76	2.22	
	M24x3	BTS2-M2430	380.38	38.18	3.93	0.60	8	3.90	1.10	3.54	4.09	2.81	3.17	2.53	1.89
	M22x2.5	BTS3-M2225					11		0.97	3.66	4.11		2.99	2.34	
	M24x3	BTS3-M2430	564.95	56.70	5.84	0.60	12	4.59	1.08	3.66	4.21	3.82	3.17	2.53	2.22
	M27x3	BTS3-M2730					12		1.10	3.78	4.47		3.57	2.83	
	M30x3.5	BTS3-M3035	763.94	76.67	7.89	0.60	12	5.31	1.38	3.70	4.49	4.23	3.35	2.72	2.50
	M33x3.5	BTS3-M3335					12		1.36	3.74	4.51		3.54	2.95	
	M27x3	BTS4-M2730	951.41	95.49	9.83	0.60	19	5.88	1.30	4.67	5.33	4.23	3.57	2.95	2.86
	M30x3.5	BTS4-M3035					19		1.38	4.76	5.35		3.35	2.83	
	M33x3.5	BTS4-M3335	1458.89	146.42	15.08	0.60	20	7.07	1.38	4.80	5.51	4.31	3.54	3.03	3.44
	M36x4	BTS4-M3640					20		1.65	4.76	5.59		3.75	3.27	
	M39x4	BTS4-M3940	1989.25	199.64	20.56	0.60	20	8.14	1.54	4.76	5.71	4.35	3.68	3.35	4.07
	M36x4	BTS5-M3640					28		1.65	5.18	6.00		3.75	3.27	
	M39x4	BTS5-M3940	2753.32	276.33	28.45	0.60	29	9.41	1.77	5.18	6.12	4.43	3.96	3.46	4.70
	M42x4.5	BTS5-M4245					29		1.77	5.35	6.26		4.39	3.78	
	M45x4.5	BTS5-M4545	3109.94	312.12	32.14	0.60	30	10.14	1.81	5.35	6.38	4.43	4.71	4.06	5.07
	M42x4.5	BTS6-M4245					35		1.89	5.34	6.25		4.39	3.78	
	M45x4.5	BTS6-M4545	2753.32	276.33	28.45	0.60	35	9.41	1.89	5.35	6.38	4.43	4.71	4.06	4.70
	M48x5	BTS6-M4850					35		1.83	5.41	6.56		4.47	4.06	
	M52x5	BTS6-M5250	1989.25	199.64	20.56	0.60	35	8.14	2.11	5.31	6.63	4.35	4.74	4.33	4.07
	M48x5	BTS7-M4850					54		2.17	5.56	6.70		4.78	4.21	
	M52x5	BTS7-M5250	2753.32	276.33	28.45	0.60	55	9.41	2.17	5.61	6.93	4.43	5.06	4.49	4.70
	M56x5.5	BTS7-M5655					55		2.32	5.84	7.12		5.22	4.69	
	M60x5.5	BTS7-M6055	1989.25	199.64	20.56	0.60	53	8.14	2.36	5.73	7.17	4.35	5.70	5.00	4.07
	M64x6	BTS7-M6460					55		2.64	5.57	7.17		5.70	5.12	
	M56x5.5	BTS8-M5655	2753.32	276.33	28.45	0.60	74	9.41	2.56	5.95	7.27	4.43	5.30	4.69	4.70
	M60x5.5	BTS8-M6055					76		2.36	5.73	7.20		6.69	5.39	
	M64x6	BTS8-M6460	3109.94	312.12	32.14	0.60	76	10.14	2.60	6.00	7.64	4.43	5.70	5.12	5.07
	M68x5.5	BTS8-M6855					72		2.76	5.94	7.74		6.30	5.55	
	M72x6	BTS8-M7260	2753.32	276.33	28.45	0.60	77	9.41	2.99	5.82	7.77	4.43	6.23	5.75	4.70
	M76x6	BTS8-M7660					77		3.17	5.78	7.82		6.69	5.94	
	M72x6	BTS9-M7260	1989.25	199.64	20.56	0.60	107	8.14	3.15	6.09	8.04	4.35	6.70	5.87	4.07
	M76x6	BTS9-M7660					108		3.19	6.33	8.34		6.69	5.94	
	M80x6	BTS9-M8060	2753.32	276.33	28.45	0.60	105	9.41	3.07	6.24	8.41	4.43	7.48	6.46	4.70
	M85x6	BTS9-M8560					112		3.46	6.26	8.62		7.14	6.30	
	M90x6	BTS9-M9060	3109.94	312.12	32.14	0.60	113	10.14	3.70	6.24	8.80	4.43	7.38	6.77	5.07
	M85x6	BTS10-M8560					131		3.43	6.50	8.78		7.14	6.42	
	M90x6	BTS10-M9060	2753.32	276.33	28.45	0.60	132	9.41	3.76	6.56	9.04	4.43	7.38	6.73	4.70
	M95x6	BTS10-M9560					129		3.94	6.21	8.89		8.25	7.28	
	M100x6	BTS10-M10060	1989.25	199.64	20.56	0.60	125	8.14	4.13	5.98	8.80	4.35	8.49	7.64	4.07
	M100x6	BTS10-M10060					125		4.13	5.98	8.80		8.49	7.64	