

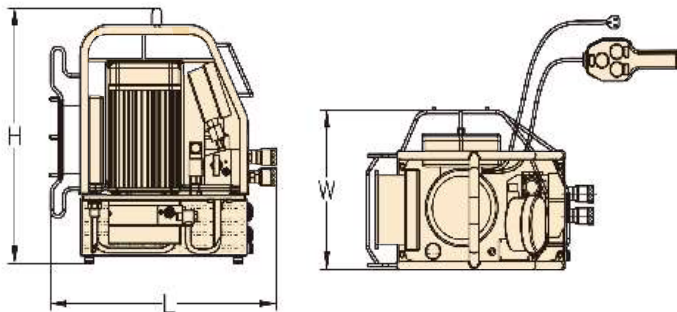
# ETTP SERIES

## Ultra High Pressure Electric Pumps



### Features

- ETTP series higher pressure electric pump is direct drive pump, with lowest cost and smoothly of pressure and flow, compare with the normal booster pump.
- Pumps' structure is Radial piston pump type, with more higher working pressure and compact structure.
- Pump with Combined seal structure, it can keep the leakage rate get down.
- The pump head with radial loading type, can insure the bearing breakdown when it is operating with higher pressure. Also keep the smooth of operating of pump head better and keep noise of pump is more lower and pressure of pump is smoothly.
- Higher pressure piston sets with indirect type oil input, the high pressure piston sets begin to work when the low piston sets working. it should be reduce the impact and prolong the working life of electronic motor.
- Pump with flood valve and unloading valve, also the pressure should be set up by yourself.



Reservoir Capacity: 1gal

Flow at Rated Pressure: 21-23 in<sup>3</sup>/min

Motor Size: 1.4hp

Max. Operating Pressure: 21,750psi

### Ordering Example

#### Model : ETTP-150B

Represents ETTP series of ultra-high pressure electric pumps, 150 means the pressure rated is 21,750psi, B means the input power with 115V/60HZ

#### Model : ETTP-150E

Represents ETTP series of ultra-high pressure electric pumps, 150 means the pressure rated is 21,750psi, E means the input power with 220V/50HZ

### Applications

This air pump works for hydraulic tools of ultra-high pressure over 10000psi, such as BTG, BTS and BTW series of bolting tensioners.



### Optional Hydraulic Components

These products operate at ultra-high pressure, use only the specified fitting and hoses designed for these pressure.

For details, please refer to the section "hydraulic components".



Model Number	Oil Flow ( in <sup>3</sup> /min )		Pressure ( psi )		Power hp	Usable Oil Capacity gal	Input Power	Weight without oil lbs	Dimensions L x W x H ( inch )
	High Pressure	Low Pressure	High Pressure	Low Pressure					
ETTP-150	23	85	21750	1450	1.4	1	1Ph 110V-240V 50HZ	82	19.3*12.2*19.7
	21	101	21750	1450	1.4	1	1Ph 100-130V 60HZ	82	19.3*12.2*19.7