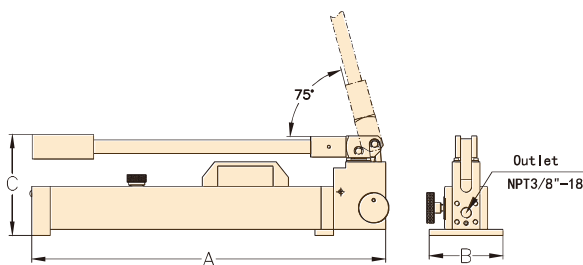


# HP SERIES Lightweight Hand Pumps



## Features

- Made of aluminum titanium alloy, light weight, high strength, corrosion and impact resistance to various harsh environments.
- Two speed operation, build-in high and low pressure automatic switch valve. Providing greater flow at low pressure to save operation time and increase the work efficiency.
- Build-in safety valve inside to provides safe dual-protection.
- Pressure regulating valve can readjust working pressure.
- The unique press rod mechanism is more easy to operate.
- Better protability with the handle.



Reservoir Capacity: 87.9-357.6 in<sup>3</sup>

Flow at Rated Pressure: 0.15 in<sup>3</sup>/stroke

Max Pressure: 10,000-21,750psi

### Applications

Suitable for nut splitters, flange spreaders, single acting hydraulic cylinders and other hydraulic tools.



### Pressure Display Unit ( Optional )

Prevent overloading, pressure gauge adaptor + pressure gauge to achieve pressure display or one pump two top function.

For more information on pressure gauges adaptor and pressure gauges, see the section "hydraulic components".



### Hoses

Select AIPI high quality high pressure hoses. For details, please refer to the section "hydraulic components".



Model Number	Pump Type	Used with Cylinder	Usable Oil Capacity ( in <sup>3</sup> )	Pressure Rating ( psi )		Output Oil Volume Each Stroke ( in <sup>3</sup> )		Handle Force ( lbs )	Over Dimension ( inch )			Output Adapter	Weight lbs
				1st Stage	2st Stage	1st Stage	2st Stage		A	B	C		
HP7-1	Double Speed	Single Acting	87.9	360	10000	1.95	0.15	65	22.72	4.72	6.70	NPT3/8"	14
HP7-3			197.7	360	10000	1.95	0.15		22.91	7.87	6.70		22
HP7-4			357.6	360	10000	1.95	0.15		26.26	9.84	6.77		32
HP16-1			87.9	220	21750	1.95	0.15	80	22.72	4.72	6.70	G1/4"	14
HP16-3			197.7	220	21750	1.95	0.15		22.91	7.87	6.70		22

# HP SERIES Steel Hand Pumps



Reservoir Capacity: 40-457.7 in<sup>3</sup>

Flow at Rated Pressure: 0.15-0.3 in<sup>3</sup>/stroke

Max Pressure: 10,000psi

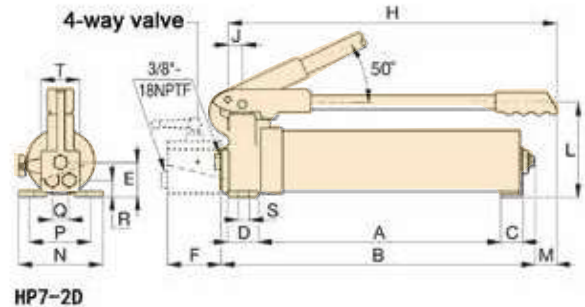
### Pressure Display Unit ( Optional )

Prevent overloading, pressure gauge adaptor + pressure gauge to achieve pressure display. For more information on pressure gauges adaptor and pressure gauges, see the section "hydraulic components".

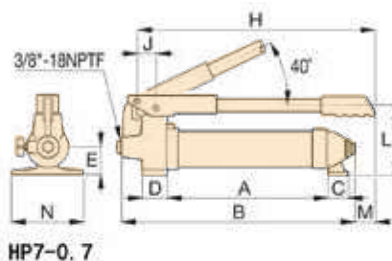


## Features

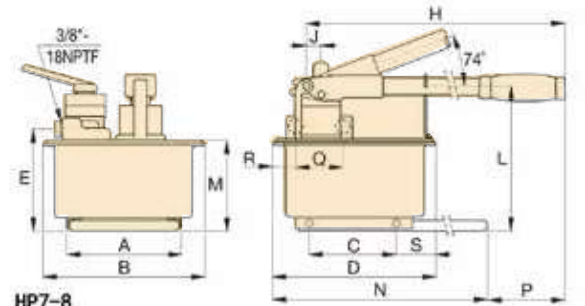
- Durable stainless steel structure.
- Two-speed operation, build-in automatic pressure valve to provide greater flow at low pressure , saving operation time and increasing the work efficiency.
- Build-in safety valve provides dual-protection of safety.
- Pressure regulating valve can readjust working pressure.
- The unique press rod mechanism for easy operating.
- Integral three-position four-way valve on HP7-2D for double-acting hydraulic cylinders.



HP7-2D



HP7-0.7



HP7-8

Model Number	Pump Type	Used with Cylinder	Usable Oil Capacity ( in <sup>3</sup> )	Pressure Rating ( psi )		Output Oil Volume Each Stroke ( in <sup>3</sup> )		Handle Force ( lbs )	Output Adapter	Weight ( lbs )
				1st Stage	2st Stage	1st Stage	2st Stage			
HP7-0.7	Double Speed	Single-Acting	40	360	10000	0.92	0.16	65	NPT3/8"	12
HP7-2D		Double-Acting	134.3	360	10000	0.98	0.15			18
HP7-8		Single-Acting	457.7	200	10000	7.7	0.3			60

Over Dimension ( inch )																Model Number
A	B	C	D	E	F	H	J	L	M	N	P	Q	R	S	T	
15.5	20.5	1.3	1.5	1.26	/	18.3	1.18	4.69	2.56	5.24	/	/	/	/	/	HP7-0.7
16.7	21.2	0.98	1.73	/	2.52	20.7	1.14	6.85	0.75	5.75	4.76	1.5	1.69	0.31	2.64	HP7-2D
8.27	12.1	6.42	12.6	7.68	/	26.4	0.98	10.6	6.89	25.6	3.62	/	/	3.15	/	HP7-8