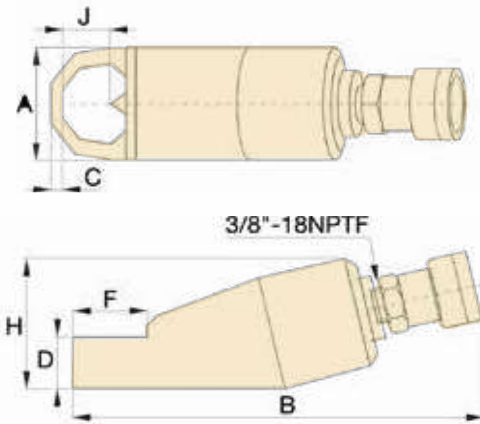


# SHNS SERIES Hydraulic Nut Splitters



## Features

- Compact and ergonomic design, easy to use.
- Unique angled head allows flush access.
- Single-acting, spring return cylinder.
- Heavy duty chisels can be reground.
- Nut Splitters include NPT3/8 quick coupling and dust cap.
- Application include service trucks, piping industry, tank cleaning, petrochemical, steel construction, mining, etc.



Capacity: 5-90ton

Hexagon Nut Range: 1/2" - 2 5/16"

Bolt Range: 5/16" - 1 7/8"

Maximum Operating Pressure: 10,000 psi

### Sets Selection

SHNS nut splitter, optional pump, pressure gauge, pressure gauge adaptor and tubing actualization requirements.

#### Example (To cut 1 1/4 nut ):

##### Selected nut splitter

- SHNS - 5060,

##### Selected hand pump

- HP7-1, light manual pump

##### Selected hose

- RH-A6-NPT3/8, length 0.24inch, connection NPT3/8" rubber hose

##### Selected pressure gauge

- HG400-15kpsi, pressure range 0-15000psi, gauge diameter 3.94 inch

##### Selected gauge adaptor

- HP7-1XS,



Bolt Range ( inch )	Hexagon Nut Range ( inch )	Capacity ton	Oil Capacity ( in <sup>3</sup> )	Model Number	Dimensions ( inch )							Weight ( lbs )	Replacement Chisel Model Number
					A	B	C	D	F	H	J		
5/16-1/2	1/2-3/4	5	0.92	SHNS-1019	1.57	6.70	0.28	0.75	1.10	1.90	0.83	3	SHNSB-1019
1/2-5/8	3/4-15/16	10	1.22	SHNS-1924	2.13	7.52	0.39	1.02	1.57	2.44	0.98	4	SHNSB-1924
5/8-3/4	15/16-1 1/4	15	3.66	SHNS-2432	2.52	8.74	0.50	1.14	2.00	2.83	1.30	7	SHNSB-2432
3/4-1	1 1/4-1 5/8	20	4.88	SHNS-3241	2.95	9.60	0.67	1.42	2.60	3.46	1.70	10	SHNSB-3241
1-1 1/4	1 5/8-2	35	9.46	SHNS-4150	3.70	11.34	0.83	1.77	2.90	4.13	2.13	18	SHNSB-4150
1 1/4-1 1/2	2-2 3/8	50	14.65	SHNS-5060	4.17	12.52	0.90	2.13	3.54	5.04	2.36	26	SHNSB-5060
1 1/2-1 7/8	2 3/8-2 15/16	90	30.00	SHNS-6075	6.14	15.47	1.02	2.83	4.33	7.13	3.15	75	SHNSB-6075