

EETP SERIES

Anti-Explosion Electric Hydraulic Torque Wrench Pumps



Features

- Featuring high-efficiency pump design with 50% higher speed and efficiency than comparable pumps
- Hand-directional valve provides additional safety for the operator
- Three-phase motor of EXDIICT4 provides operation safety , large output torque , low noise, production efficiency.
- Built-in Electronic control system with EXDIICT4 anti-explosion magnetic trigger.
- Large aluminium oil tank featuring with excellent cooling system, providing for longer continuous working hours.
- Advanced pressure control valve fits through long time continuous operation and provides stable pressure.
- Special design with the capability of starting at any time with pressure .
- Optimized cooling system keeps pump cool under extreme use.

Reservoir Capacity: 3.5gal

Flow at Rate Pressure: 52 in³/min

Motor Size: 1.5 hp

Maximun Operating Pressure: 10,000psi

Ordering Example

Model: EETP43806

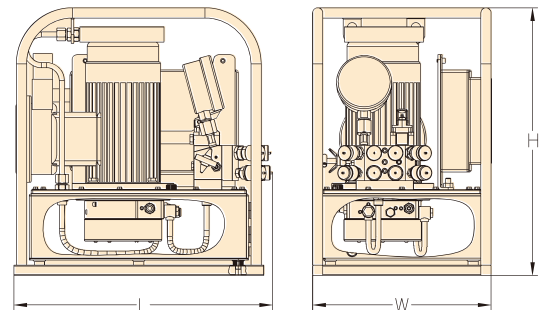
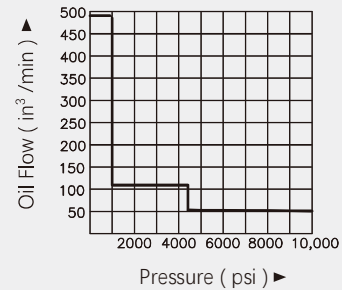
Represents EETP4000 series explosion-proof electric hydraulic wrench pump with input power 380V/60HZ.

Hoses

Select APII high quality twin hoses. For details, please refer to the section "hydraulic components".



OIL FLOW vs. PRESSURE



Model Number	Oil Flow (in ³ /min)			Pressure (psi)			Power	Usable Oil Capacity	Input Power	Weight	Dimensions
	High Pressure	Middle Pressure	Low Pressure	High Pressure	Middle Pressure	Low Pressure	hp	gal		lbs	L x W x H (inch)
EETP4000	52	104	488	10000	4350	1000	1.50	3.5	3Ph 220V-575V 50HZ/60HZ	110	19.3*13.8*19.5