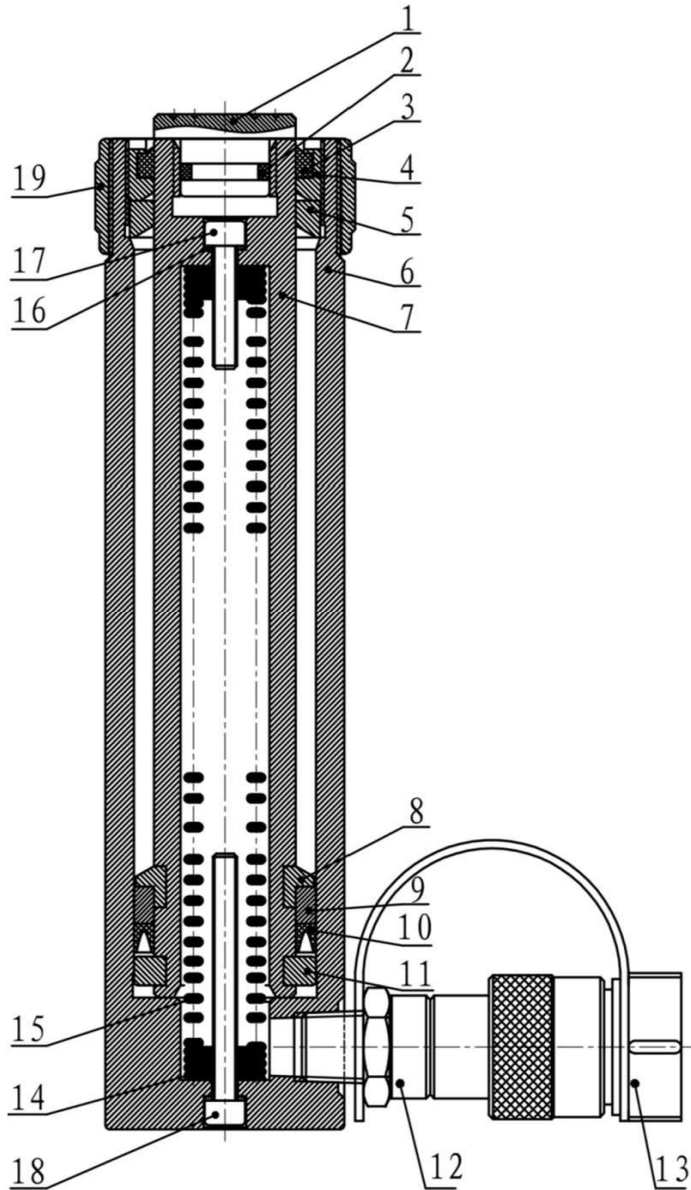


Single-Acting Cylinders - SRC series

Doc. : L1002A Date : 2019/01



Item NO.	Description	Qty	Part NO.
			SRC10 series
1	Lifting head	1	2.001.01342
2	O- ring	1	●
3	J-dustband	1	1.3.010.00004
4	Guide cap	1	2.001.00487
5	/	/	/
6	Oil cylinder	1	2.001.00636
		1	2.001.01291
7	Piston rod	1	2.001.00637
		1	2.001.01292
8	/	/	/
9	/	/	/
10	U- ring (General hole shaft)	1	●
11	/	/	/
12	Female connector	1	1.3.025.00004
13	Connector protective jacket for NPT3/8"	1	1.3.097.00002
14	Spring connecting head	2	-
			-
15	Returning spring (Item #14 included)	1	1.3.011.00076
		1	1.3.011.00027
		1	1.3.011.00057
16	Copper gasket	2	●
17	Hexagon socket head cap screws	1	●
	Hexagon socket head cap screws	1	●
18	Hexagon socket head cap screws	1	●
	Hexagon socket head cap screws	1	●
19	Thread protector	1	2.001.01336
●	Repair kit	1	SRC10-RK