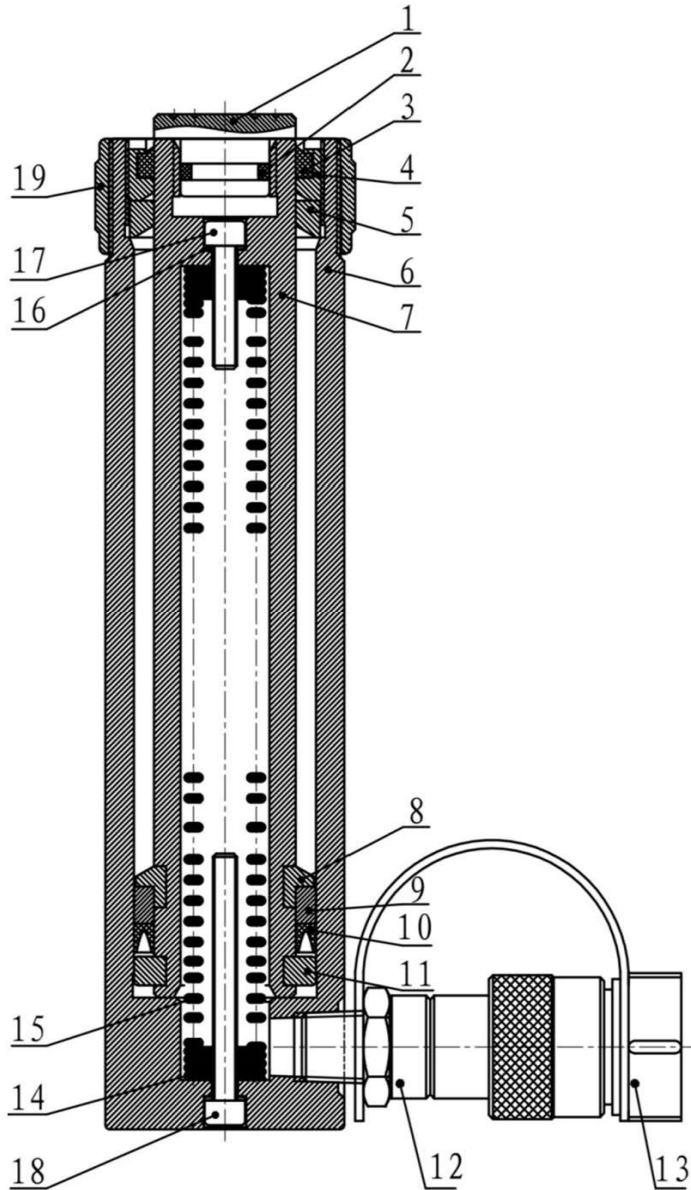


Single-Acting Cylinders - SRC series

Doc. : L1005A Date : 2019/01



Item NO.	Description	Qty	Part NO.
			SRC30 series
1	Lifting head	1	2.001.00100
2	O- ring	1	●
3	J-dustband	1	1.3.010.00007
4	Guide cap	1	2.001.00046
5	Front guide ring	1	2.001.02286
6	Oil cylinder	1	2.001.01415 (SRC30-50)
		1	2.001.01042 (SRC30-100)
		1	2.001.00287 (SRC30-209)
		1	2.001.00519 (SRC30-300)
7	Piston rod	1	2.001.00081 (SRC30-50)
		1	2.001.01045 (SRC30-100)
		1	2.001.00166 (SRC30-209)
		1	2.001.00561 (SRC30-300)
8	Semi-ring	1	2.001.02770
9	Front guide sleeve	1	2.001.00208
10	U- ring (General hole shaft)	1	●
11	Back guide sleeve	1	2.001.02304
12	Female connector	1	1.3.025.00004
13	Connector protective jacket for NPT3/8"	1	1.3.097.00002
14	Spring connecting head	2	-
15	Returning spring (Item #14 included)	1	1.3.011.00056 (SRC30-50)
		1	1.3.011.00050 (SRC30-100)
		1	1.3.011.00002 (SRC30-209)
		1	1.3.011.00051 (SRC30-300)
16	Copper gasket	2	●
17	Hexagon socket head cap screws	1	●
	Hexagon socket head cap screws	1	●
18	Hexagon socket head cap screws	1	●
	Hexagon socket head cap screws	1	●
19	Thread protector	1	2.001.02298
●	Repair kit	1	SRC30-RK