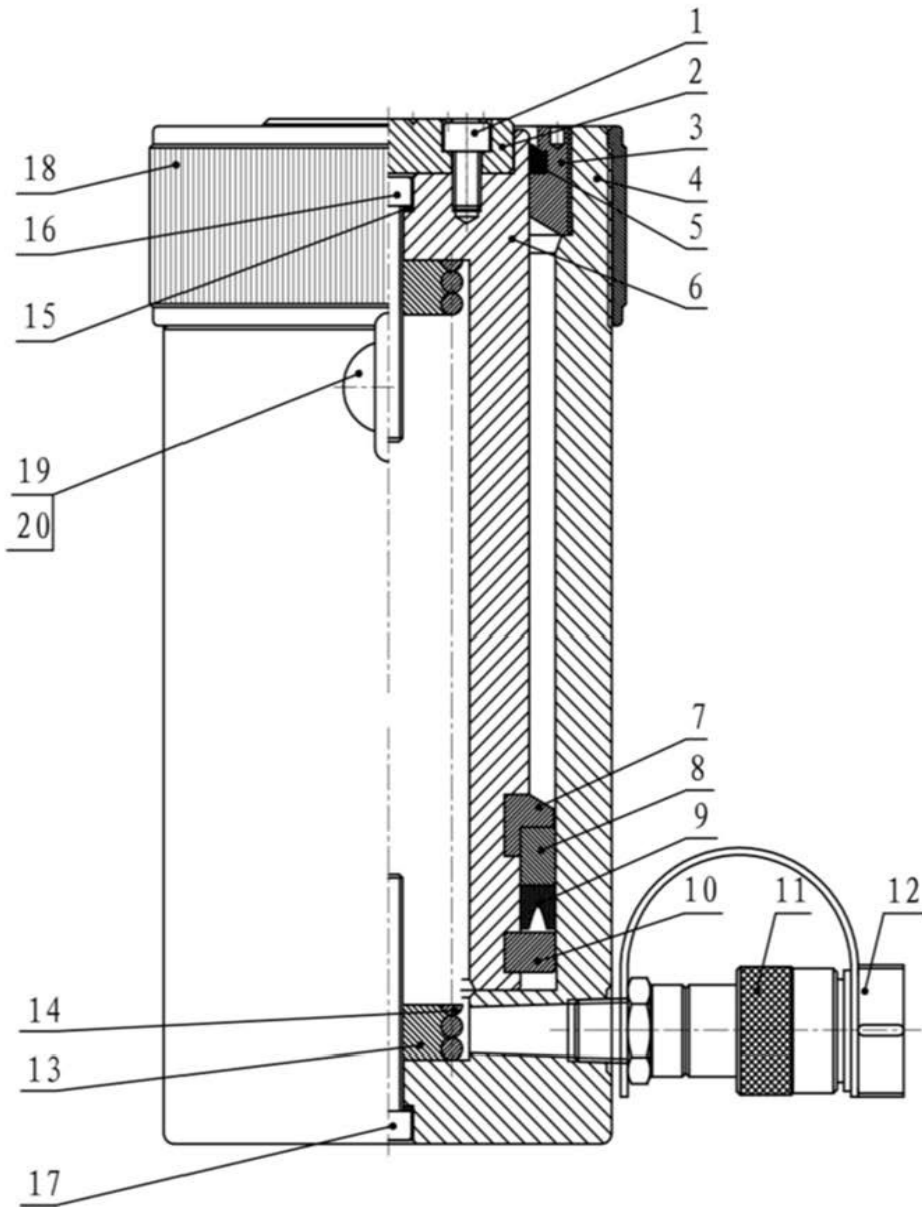


Single-Acting Cylinders - SRC series

Doc. : L1006A Date : 2019/01



Item NO.	Description	Qty	Part NO.
			SRC50 series
1	Hexagon socket head cap screws M8x16	2	1.3.027.00045
2	Lifting head	1	2.001.00501
3	Guide cap	1	2.001.01577
4	Oil cylinder	1	2.001.01529
5	J-dustband 80x90x6x8	1	1.3.001.00021
6	Piston rod	1	2.001.01599 (SRC50-51)
		1	2.001.00630 (SRC50-101)
		1	2.001.01158 (SRC50-159)
		1	2.001.00507 (SRC50-337)
7	Semi-ring	1	2.001.01809
8	Front guide sleeve	1	2.001.01019
9	U- ring 75x95x13(General hole shaft)	1	1.3.037.00025
10	Back guide sleeve	1	2.001.01808
11	Female connector	1	1.3.025.00004
12	Connector protective jacket for NPT3/8"	1	1.3.097.00002
13	Spring connecting head	2	2.001.00506
14	Returning spring (Item #13 include)	1	1.3.011.00070 (SRC50-51)
		1	1.3.011.00025 (SRC50-101)
		1	1.3.011.00037 (SRC50-159)
		1	1.3.011.00020 (SRC50-337)
15	Copper gasket	2	●
16	Hexagon socket head cap screws M8x45	1	●
	Hexagon socket head cap screws M8x65	1	●
	Hexagon socket head cap screws M8x65	1	●
17	Hexagon socket head cap screws M8x45	1	●
	Hexagon socket head cap screws M8x65	1	●
	Hexagon socket head cap screws M8x65	1	●
18	Thread protector	1	2.001.01600
19	Lifting bolt M10	2	1.3.009.00005
20	Hexagon nut M10	2	1.3.071.00002
●	Repair kit	1	SRC50-RK