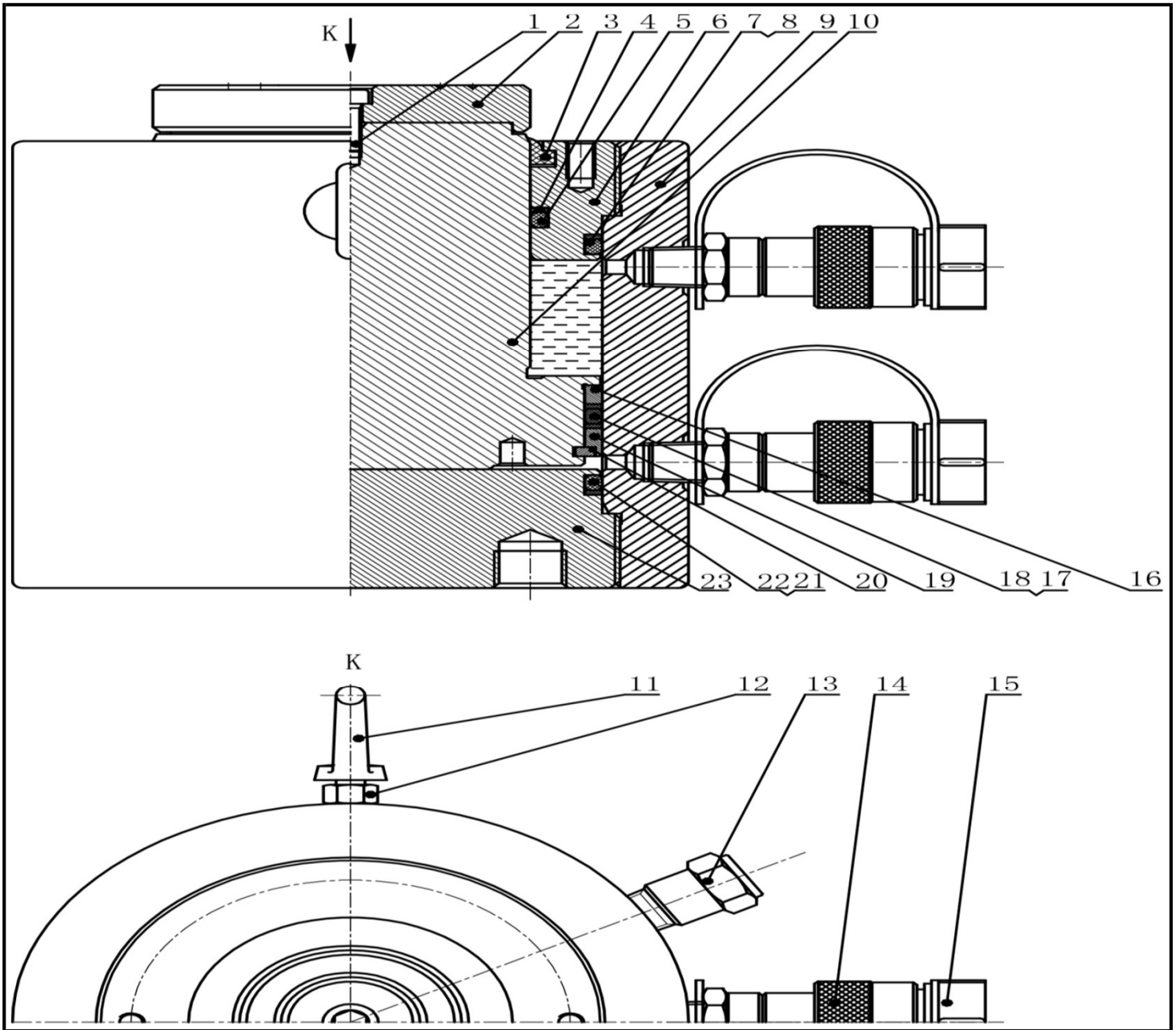


Double-Acting High Tonnage Cylinders - DRC series

Doc. : L1009A Date : 2018/12



Item NO.	Description	Qty	Part NO.					
			DRC50-50	DRC50-100	DRC50-150	DRC50-200	DRC50-300	
1	Hexagon socket head cap screws	1						•
2	Lifting head	1						2.001.00096
3	J-dustband	1						1.3.001.00010
4	Backup Washer	1						•
5	O-ring	1						•
6	Guide cap	1						2.001.00041
7	Backup Washer	1						•
8	O-ring	1						•
9	Oil cylinder	1						2.001.02643 (DRC50-50)
		1						2.001.00939 (DRC50-100)
		1						2.001.01443 (DRC50-150)
		1						2.001.00281 (DRC50-200)
		1						2.001.02651 (DRC50-300)
10	Piston rod	1						2.001.02644 (DRC50-50)
		1						2.001.00940 (DRC50-100)
		1						2.001.01444 (DRC50-150)
		1						2.001.00160 (DRC50-200)
		1						2.001.02652 (DRC50-300)
11	Lifting bolt (Item #12 included)	2						1.3.009.00004
12	Hexagon nut	2						1.3.071.00007
13	Safety valve	1						2.008.00047
14	Female connector	2						1.3.025.00004
15	Connector protective jacket for NPT3/8"	2						1.3.097.00002
16	Front guide sleeve	1						2.001.00230
17	Backup Washer	2						•
18	O-ring	1						•
19	Back guide sleeve	1						2.001.00143
20	Semi-ring	1						2.001.00014
21	Backup Washer	1						•
22	O-ring	1						•
23	Bottom cap	1						2.001.00069
•	Repair kit	1						DRC50-RK