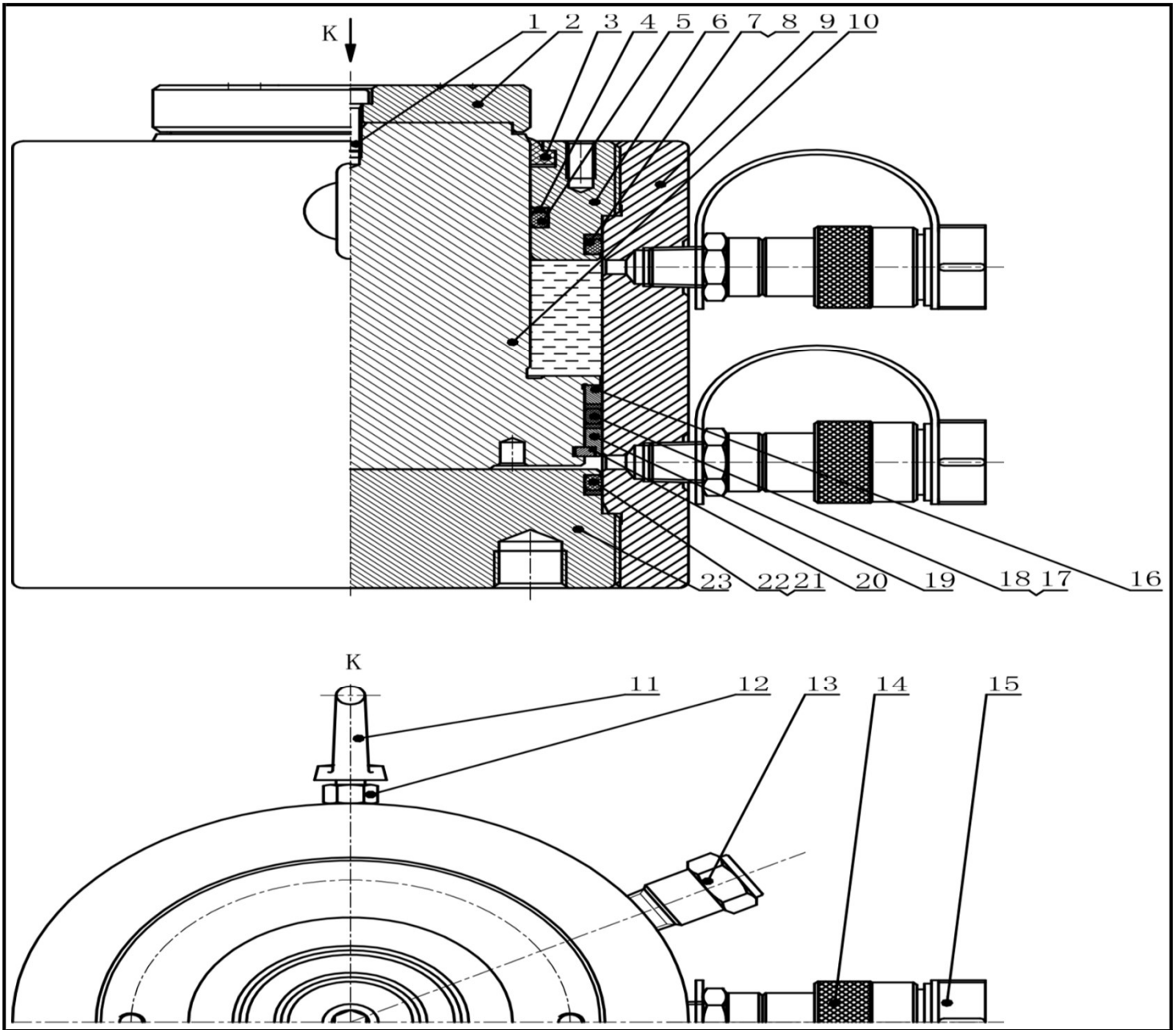


Double-Acting High Tonnage Cylinders - DRC series

Doc. : L1010A Date : 2018/12



Item NO.	Description	Qty	Part NO.				
			DRC100-50	DRC100-100	DRC100-150	DRC100-200	DRC100-300
1	Hexagon socket head cap screws	1			●		
2	Lifting head	1			2.001.00092		
3	J-dustband	1			1.3.001.00001		
4	Backup Washer	1			●		
5	O-ring	1			●		
6	Guide cap	1			2.001.00036		
7	Backup Washer	1			●		
8	O-ring	1			●		
9	Oil cylinder	1			2.001.02690 (DRC100-50)		
		1			2.001.01424 (DRC100-100)		
		1			2.001.01425 (DRC100-150)		
		1			2.001.00276 (DRC100-200)		
		1			2.001.00277 (DRC100-300)		
10	Piston rod	1			2.001.02689 (DRC100-50)		
		1			2.001.01423 (DRC100-100)		
		1			2.001.01426 (DRC100-150)		
		1			2.001.00155 (DRC100-200)		
		1			2.001.00079 (DRC100-300)		
11	Lifting bolt (Item #12 included)	2			1.3.009.00005		
12	Hexagon nut	2			-		
13	Safety valve	1			2.008.00047		
14	Female connector	2			1.3.025.00004		
15	Connector protective jacket for NPT3/8"	2			1.3.097.00002		
16	Front guide sleeve	1			2.001.00225		
17	Backup Washer	2			●		
18	O-ring	1			●		
19	Back guide sleeve	1			2.001.00139		
20	Semi-ring	1			2.001.00009		
21	Backup Washer	1			●		
22	O-ring	1			●		
23	Bottom cap	1			2.001.00065		
●	Repair kit	1			DRC100-RK		