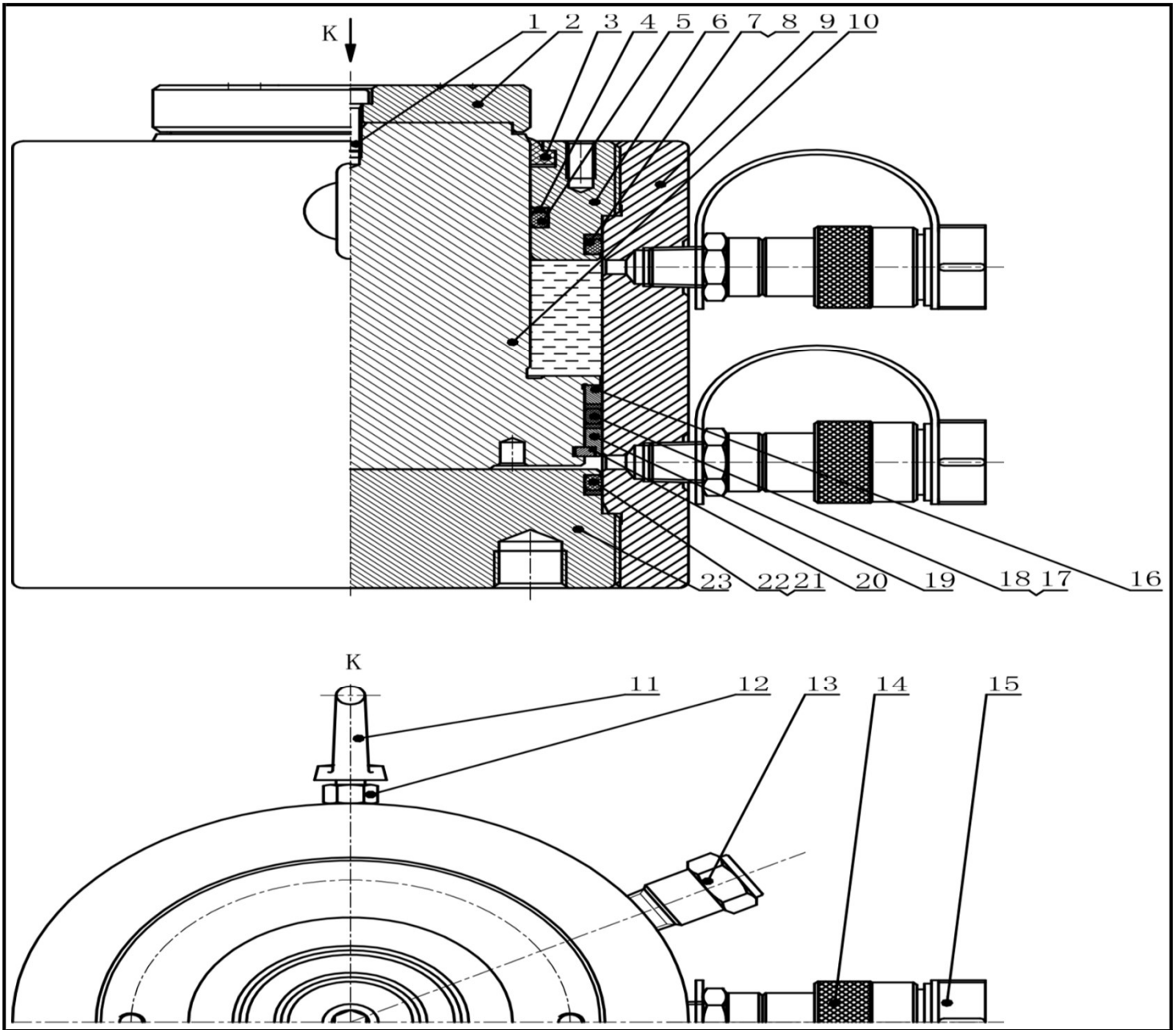


Double-Acting High Tonnage Cylinders - DRC series

Doc. : L1011A Date : 2018/12



Item NO.	Description	Qty	Part NO.				
			DRC150-50	DRC150-100	DRC150-150	DRC150-200	DRC150-300
1	Hexagon socket head cap screws	1			●		
2	Lifting head	1			2.001.02659		
3	J-dustband	1			1.3.010.00015		
4	Backup Washer	1			●		
5	O-ring	1			●		
6	Guide cap	1			2.001.02660		
7	Backup Washer	1			●		
8	O-ring	1			●		
9	Oil cylinder	1			2.001.02663 (DRC150-50)		
		1			2.001.02665 (DRC150-100)		
		1			2.001.02667 (DRC150-150)		
		1			2.001.02661 (DRC150-200)		
		1			2.001.02669 (DRC150-300)		
10	Piston rod	1			2.001.02664 (DRC150-50)		
		1			2.001.02666 (DRC150-100)		
		1			2.001.02668 (DRC150-150)		
		1			2.001.02662 (DRC150-200)		
		1			2.001.02670 (DRC150-300)		
11	Lifting bolt (Item #12 included)	2			1.3.009.00006		
12	Hexagon nut	2			-		
13	Safety valve	1			2.008.00047		
14	Female connector	2			1.3.025.00004		
15	Connector protective jacket for NPT3/8"	2			1.3.097.00002		
16	Front guide sleeve	1			2.001.02655		
19	Back guide sleeve	1			2.001.02656		
17	Backup Washer	2			●		
18	O-ring	1			●		
20	Semi-ring	1			2.001.02657		
21	Backup Washer	1			●		
22	O-ring	1			●		
23	Bottom cap	1			2.001.02658		
●	Repair kit	1			DRC150-RK		