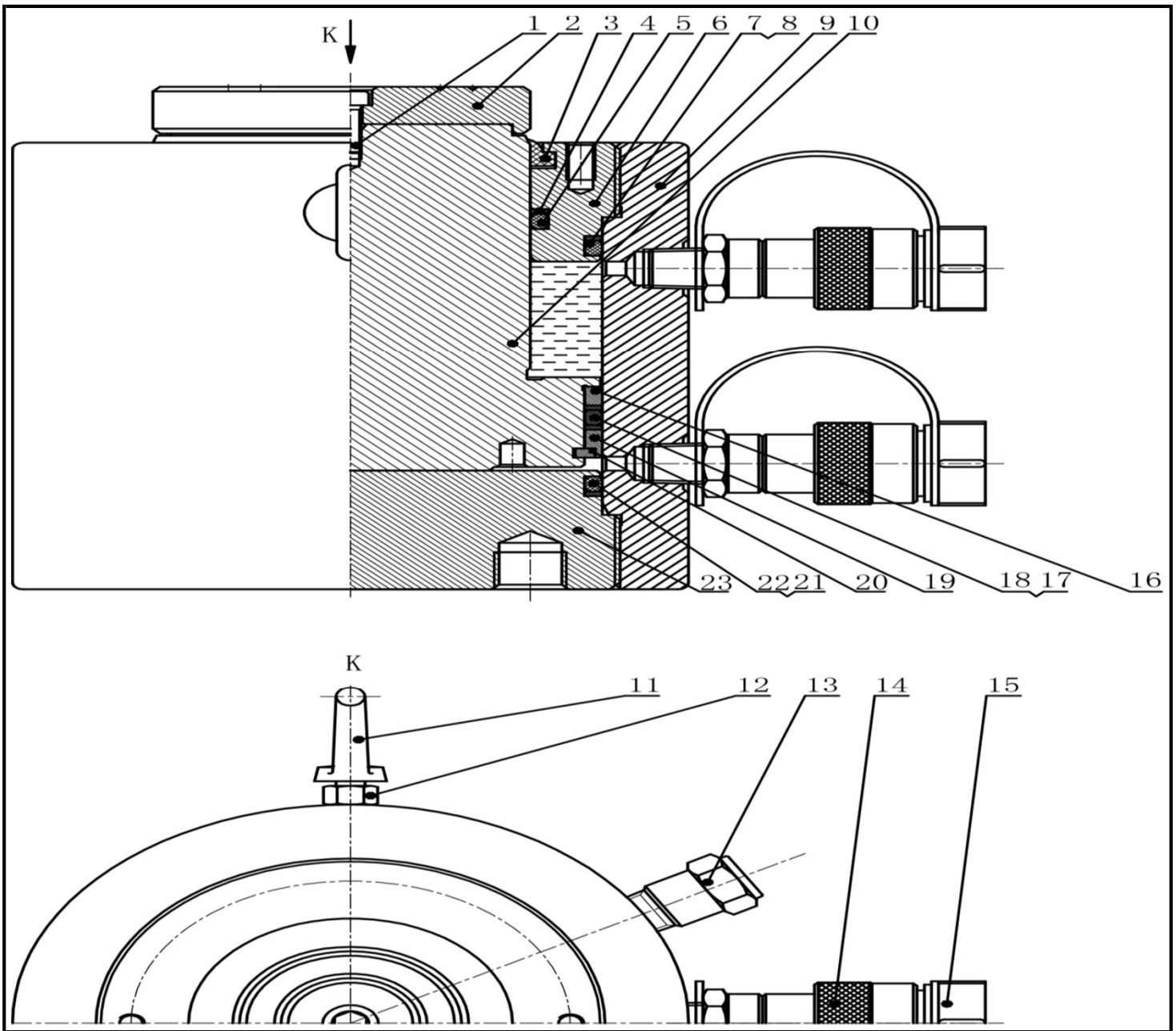


Double-Acting High Tonnage Cylinders - DRC series

Doc. : L1012A Date : 2018/12



Item NO.	Description	Qty	Part NO.			
			DRC200-100	DRC200-150	DRC200-200	DRC200-300
1	Hexagon socket head cap screws	1		●		
2	Lifting head	1		2.001.00093		
3	J-dustband	1		1.3.001.00003		
4	Backup Washer	1		●		
5	O-ring	1		●		
6	Guide cap	1		2.001.00038		
7	Backup Washer	1		●		
8	O-ring	1		●		
9	Oil cylinder	1		2.001.01440 (DRC200-100)		
		1		2.001.01438 (DRC200-150)		
		1		2.001.00278 (DRC200-200)		
		1		2.001.00480 (DRC200-300)		
10	Piston rod	1		2.001.01439 (DRC200-100)		
		1		2.001.01437 (DRC200-150)		
		1		2.001.00157 (DRC200-200)		
		1		2.001.00481 (DRC200-300)		
11	Lifting bolt (Item #12 included)	2		1.3.009.00002		
12	Hexagon nut	2		-		
13	Safety valve	1		2.008.00047		
14	Female connector	2		1.3.025.00004		
15	Connector protective jacket for NPT3/8"	2		1.3.097.00002		
16	Front guide sleeve	1		2.001.00227		
17	Backup Washer	2		●		
18	O-ring	1		●		
19	Back guide sleeve	1		2.001.00140		
20	Semi-ring	1		2.001.00011		
21	Backup Washer	1		●		
22	O-ring	1		●		
23	Bottom cap	1		2.001.00066		
●	Repair kit	1		DRC200-RK		