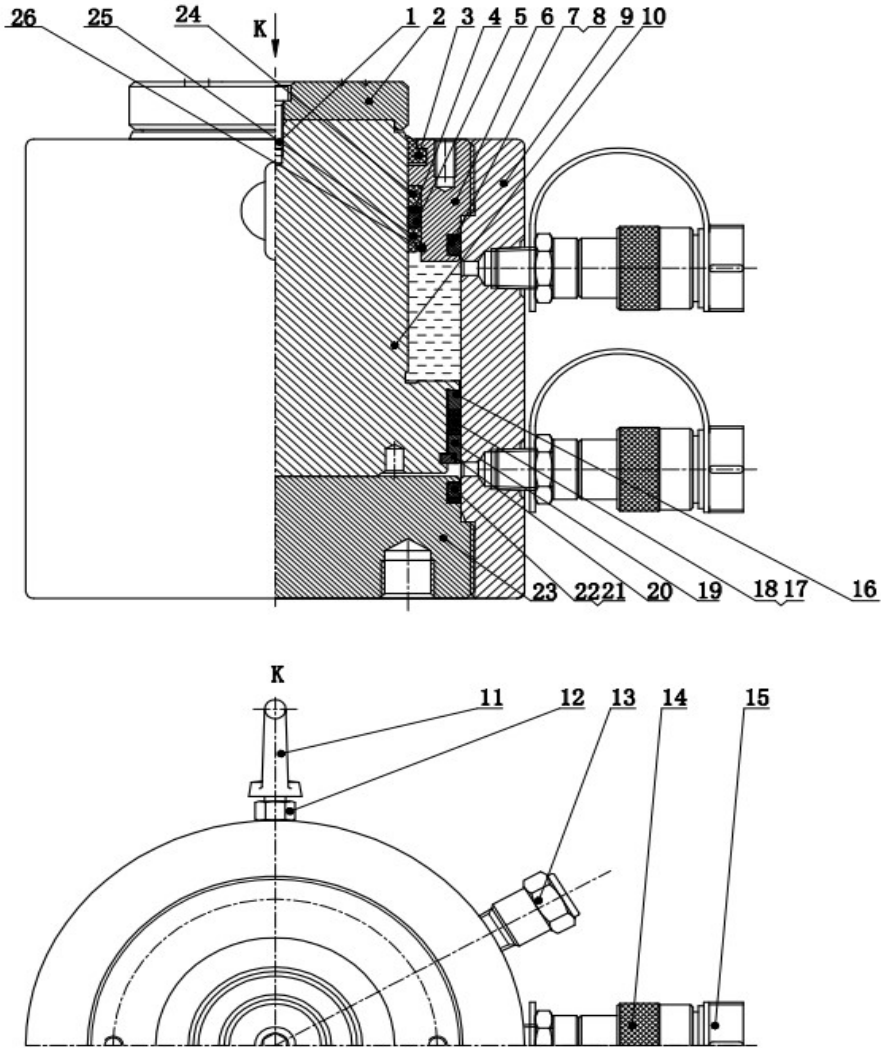


Double-Acting High Tonnage Cylinders - DRC series

Doc. : L1017A Date : 2018/12



Item NO.	Description	Qty	Part NO.		
			DRC800-100	DRC800-200	DRC800-300
1	Hexagon socket head cap screws	1		●	
2	Lifting head	1	2.001.00098		
3	J-dustband	1	1.3.001.00007		
4	Backup Washer	1		●	
5	O-ring	1		●	
6	Guide cap	1	2.001.00043		
7	Backup Washer	-		-	
8	O-ring	-		-	
9	Oil cylinder	1	2.001.03347 (DRC800-100)		
		1	2.001.00283 (DRC800-200)		
		1	2.001.03349 (DRC800-300)		
10	Piston rod	1	2.001.03348 (DRC800-100)		
		1	2.001.00162 (DRC800-200)		
		1	2.001.03350 (DRC800-300)		
11	Lifting bolt (Item #12 included)	2	1.3.009.00003		
12	Hexagon nut	2		-	
13	Safety valve	1	2.008.00047		
14	Female connector	2	1.3.025.00004		
15	Connector protective jacket for NPT3/8"	2	1.3.097.00002		
16	Front guide sleeve	1	2.001.00061		
17	Backup Washer	2		●	
18	O-ring	1		●	
19	Back guide sleeve	1	2.001.00060		
20	Semi-ring	1	2.001.00016		
21	Backup Washer	1		●	
22	O-ring	1		●	
23	Bottom cap	1	2.001.00071		
24	Front Guide ring	1	2.001.00058		
25	Back Guide ring	1	2.001.00059		
26	Round wire snap rings	1	1.3.112.00001		
●	Repair kit	1			DRC800-RK