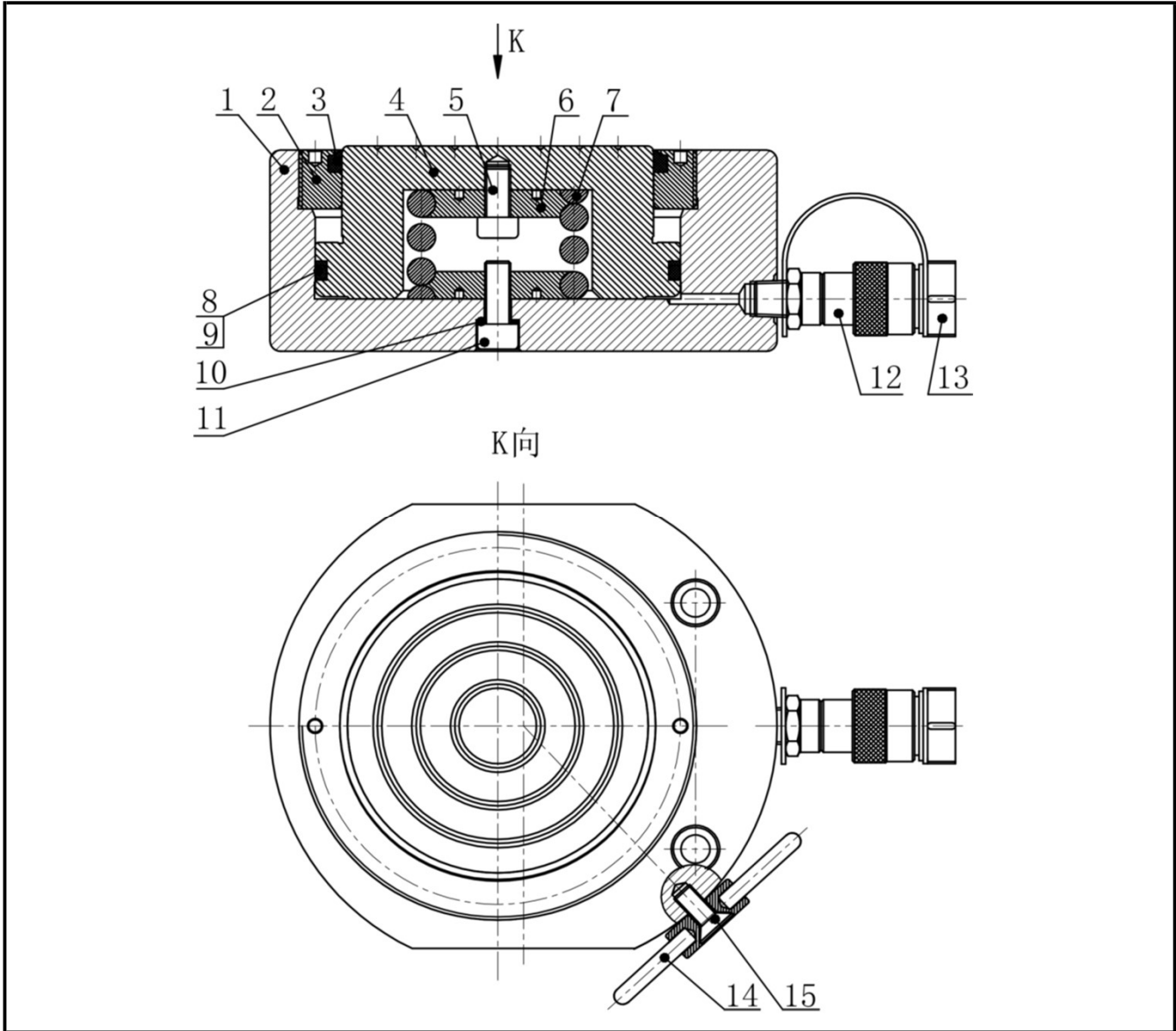


Single-Acting Low Flat Cylinders - SFC

Doc. : L1018A Date : 2019/01



Item NO.	Description	Qty	Part NO.	
			SFC10-11	
1	Oil cylinder	1	2.001.00296	
2	Guide cap	1	2.001.00052	
3	/	/	/	
4	Piston rod	1	2.001.00175	
5	Hexagon socket head cap screws	1	●	
6	Spring connecting head	2	-	
7	Returning spring (Item #6 included)	1	1.3.011.00011	
8	Backup Washer	1	●	
9	O - ring	1	●	
10	Copper gasket	1	●	
11	Hexagon socket head cap screws	1	●	
12	Female connector	1	1.3.025.00004	
13	Connector protective jacket for NPT3/8"	1	1.3.097.00002	