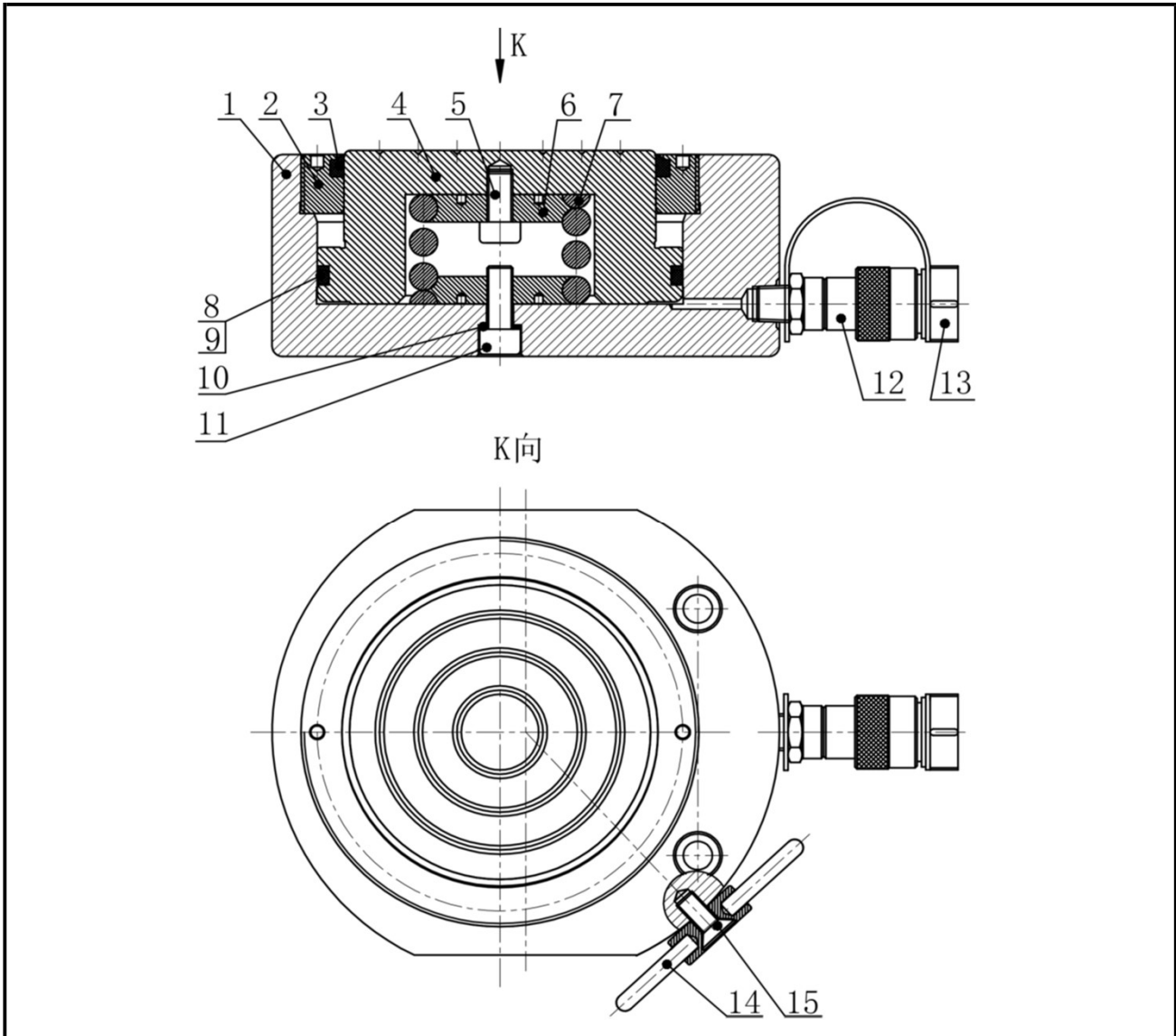


Single-Acting Low Flat Cylinders - SFC

Doc. : L1019A Date : 2019/01



| Item NO. | Description                             | Qty | Part NO. |               |
|----------|---|-----|----------|---------------|
|          |   |     |          | SFC20-12      |
| 1        | Oil cylinder                            | 1   |          | 2.001.00298   |
| 2        | Guide cap                               | 1   |          | 2.001.00052   |
| 3        | J-dustband                              | 1   |          | 1.3.010.00005 |
| 4        | Piston rod                              | 1   |          | 2.001.00177   |
| 5        | Hexagon socket head cap screws          | 1   | ●        |               |
| 6        | Spring connecting head                  | 2   |          | -             |
| 7        | Returning spring (Item #6 included)     | 1   |          | 1.3.011.00012 |
| 8        | Backup Washer                           | 1   | ●        |               |
| 9        | O - ring                                | 1   | ●        |               |
| 10       | Copper gasket                           | 1   | ●        |               |
| 11       | Hexagon socket head cap screws          | 1   | ●        |               |
| 12       | Female connector                        | 1   |          | 1.3.025.00004 |
| 13       | Connector protective jacket for NPT3/8" | 1   |          | 1.3.097.00002 |
| ●        | Repair kit                              | 1   |          | SFC20-12-RK   |