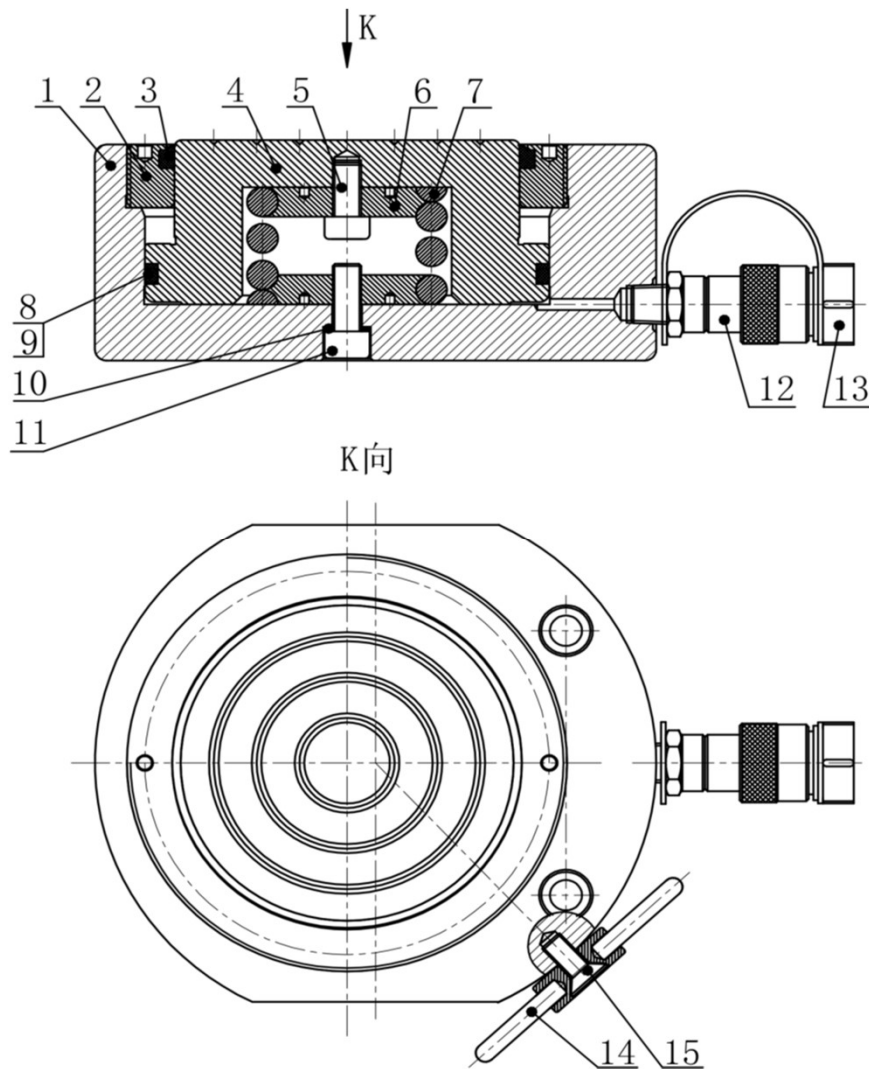


Single-Acting Low Flat Cylinders - SFC

Doc. : L1020A Date : 2019/01



| Item NO. | Description | Qty | Part NO. | |
|----------|---|-----|----------|---------------|
| | | | | SFC30-13 |
| 1 | Oil cylinder | 1 | | 2.001.00299 |
| 2 | Guide cap | 1 | | 2.001.00055 |
| 3 | J-dustband | 1 | | 1.3.010.00007 |
| 4 | Piston rod | 1 | | 2.001.00178 |
| 5 | Hexagon socket head cap screws | 1 | | ● |
| 6 | Spring connecting head | 2 | | - |
| 7 | Returning spring (Item #6 included) | 1 | | 1.3.011.00013 |
| 8 | Backup Washer | 1 | | ● |
| 9 | O - ring | 1 | | ● |
| 10 | Copper gasket | 1 | | ● |
| 11 | Hexagon socket head cap screws | 1 | | ● |
| 12 | Female connector | 1 | | 1.3.025.00004 |
| 13 | Connector protective jacket for NPT3/8" | 1 | | 1.3.097.00002 |
| ● | Repair kit | 1 | | SFC30-13-RK |