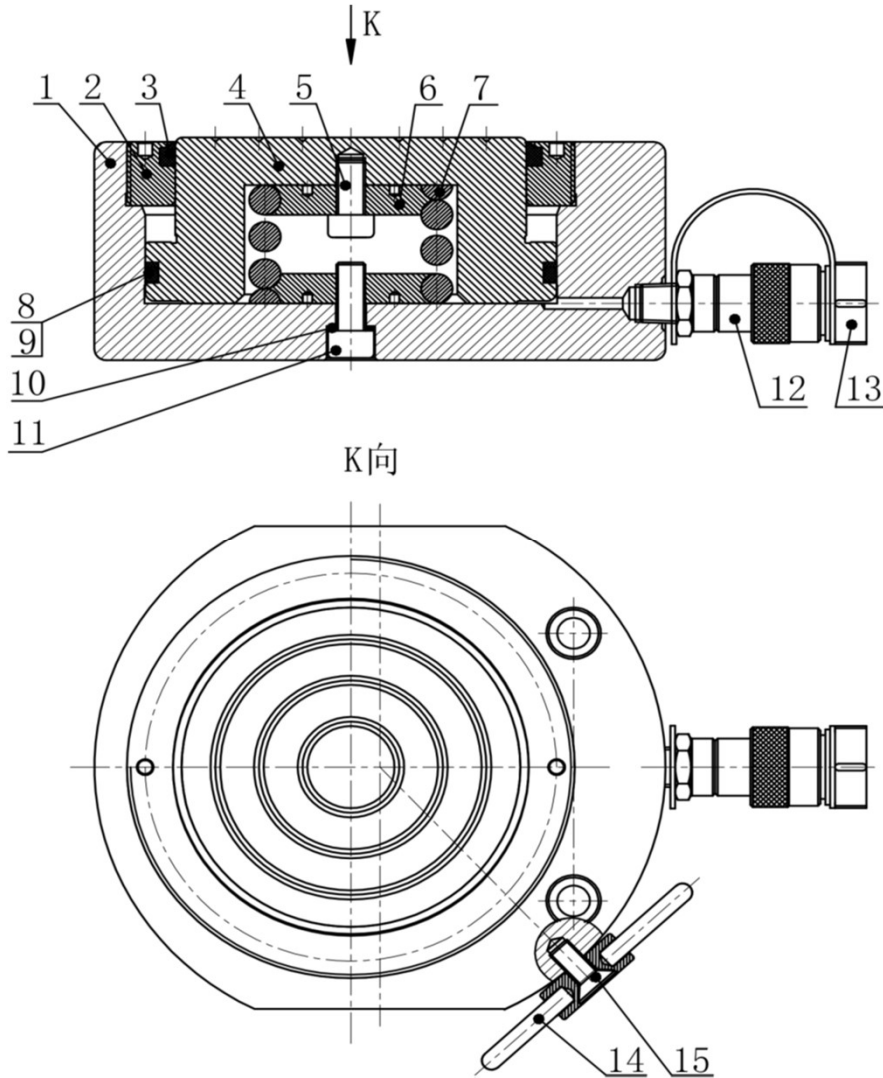


Single-Acting Low Flat Cylinders - SFC

Doc. : L1021A Date : 2019/01



Item NO.	Description	Qty	Part NO.	
				SFC50-16
1	Oil cylinder	1		2.001.00300
2	Guide cap	1		2.001.00056
3	J-dustband	1		1.3.010.00021
4	Piston rod	1		2.001.00179
5	Hexagon socket head cap screws	1	●	
6	Spring connecting head	2		-
7	Returning spring (Item #6 included)	1		1.3.011.00014
8	Backup Washer	1	●	
9	O - ring	1	●	
10	Copper gasket	1	●	
11	Hexagon socket head cap screws	1	●	
12	Female connector	1		1.3.025.00004
13	Connector protective jacket for NPT3/8"	1		1.3.097.00002
●	Repair kit	1		SFC50-16-RK