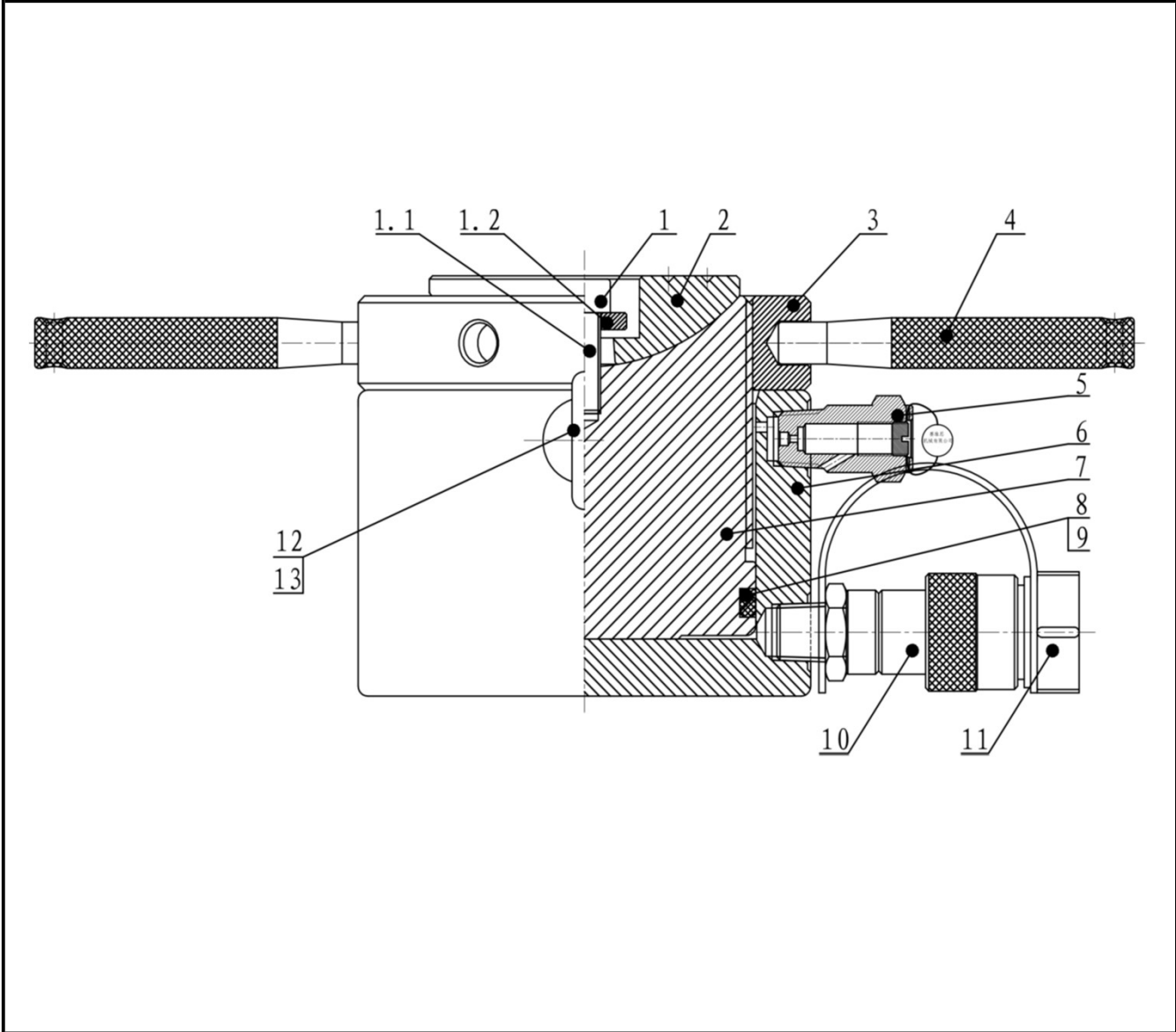


Single-Acting Low profile lock-nut Cylinders - SLL

Doc. : L1025A Date : 2019/01



Item NO.	Description	Qty	Part NO.
			SLL60-50
1	Screw components	1	2.025.00010
1.1	Hexagon socket head cap screws M10x30	1	1.3.027.00047
1.2	Washer	1	2.001.02650
2	Lifting head	1	2.001.02727
3	Lock ring	1	2.001.02728
4	Handle	2	2.001.02649
5	Trip Limit valve	1	2.008.00050
6	Oil cylinder	1	2.001.02729
7	Piston rod	1	2.001.02730
8	Backup Washer 96X106X2	1	1.3.007.00215
9	O- ring 94.6X5.7	1	1.3.002.00341
10	Female connector	1	1.3.025.00004
11	Connector protective jacket for NPT3/8"	1	1.3.097.00002
12	Lifting bolt M10	2	1.3.009.00005
13	Hexagon nut M10	2	1.3.071.00002