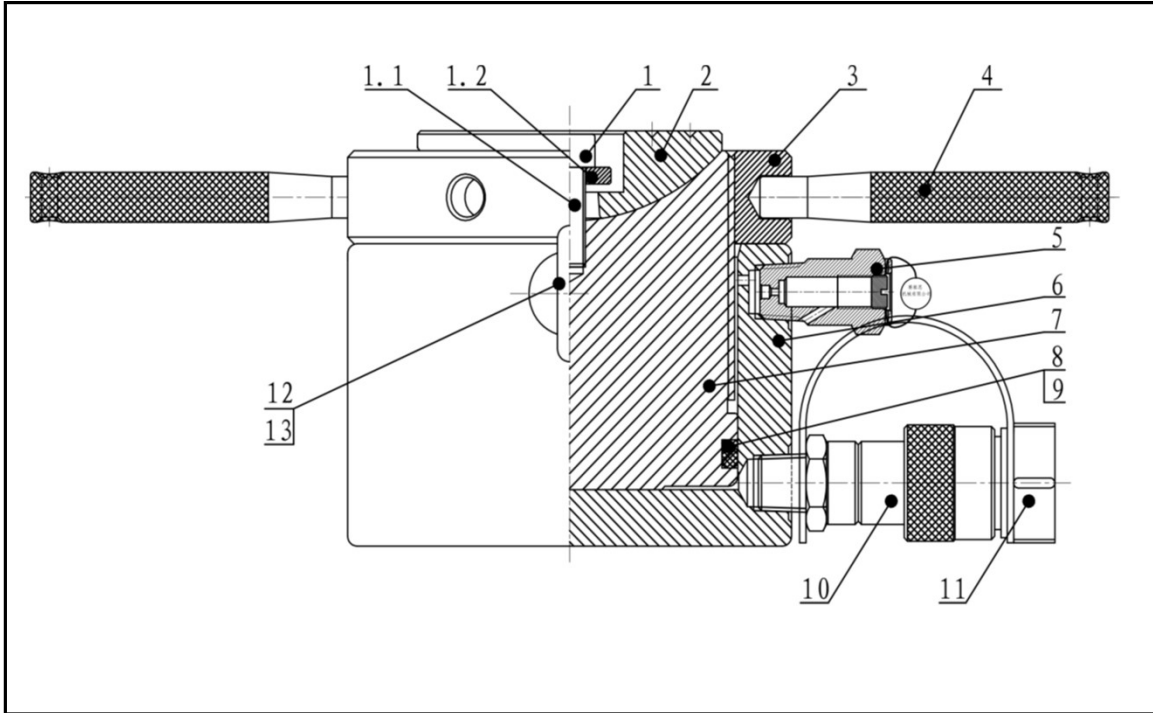


Single-Acting Low Flat Cylinders - SLL

Doc. : L1026A Date : 2019/01



Item NO.	Description	Qty	Part NO.
			SLL100-50
1	Screw components	1	●
2	Lifting head	1	2.001.02718
3	Lock ring	1	2.001.02719
4	Handle	2	2.001.02649
5	Trip Limit valve	1	2.008.00050
6	Oil cylinder	1	2.001.02720
7	Piston rod	1	2.001.02721
8	Backup Washer	1	●
9	O- ring	1	●
10	Female connector	1	1.3.025.00004
11	Connector protective jacket for NPT3/8"	1	1.3.097.00002
12	Lifting bolt (Item #13 included)	2	1.3.009.00005
13	Hexagon nut	2	-
●	Repair kit	1	SLL100-50-RK