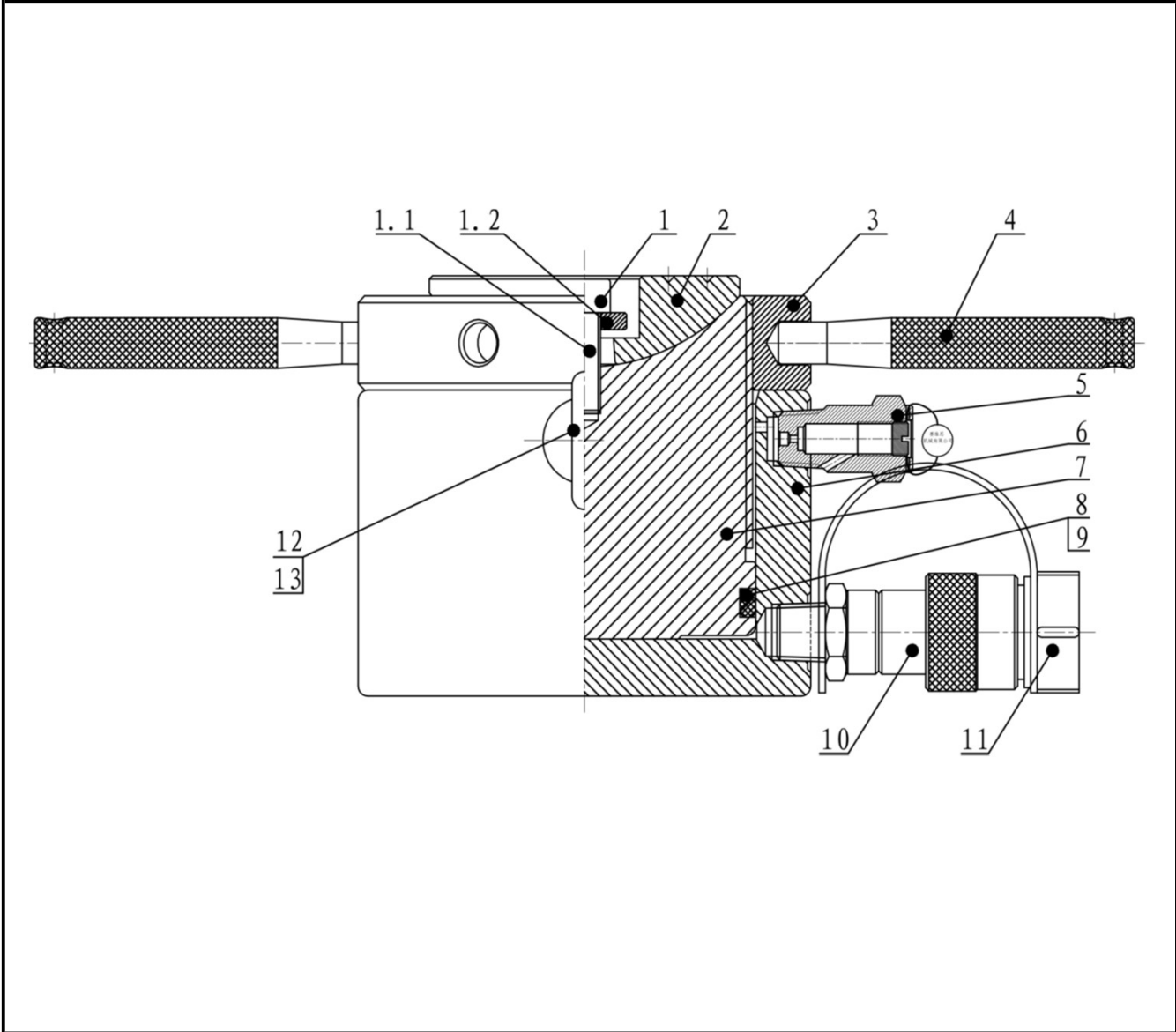


Single-Acting Low profile lock nut Cylinders - SLL

Doc. : L1027A Date : 2019/01



Item NO.	Description	Qty	Part NO.
			SLL160-45
1	Screw components	1	2.025.00011
1.1	Hexagon socket head cap screws M10x35	1	1.3.027.00134
1.2	Washer	1	2.001.02739
2	Lifting head	1	2.001.02722
3	Lock ring	1	2.001.02723
4	Handle	2	2.001.02649
5	Trip Limit valve	1	2.008.00050
6	Oil cylinder	1	2.001.02724
7	Piston rod	1	2.001.02725
8	Backup Washer 162x172x2	1	1.3.007.00213
9	O- ring 159.3x5.7	1	1.3.002.00333
10	Female connector	1	1.3.025.00004
11	Connector protective jacket for NPT3/8"	1	1.3.097.00002
12	Lifting bolt M12	2	1.3.009.00001
13	Hexagon nut M12	2	1.3.071.00003