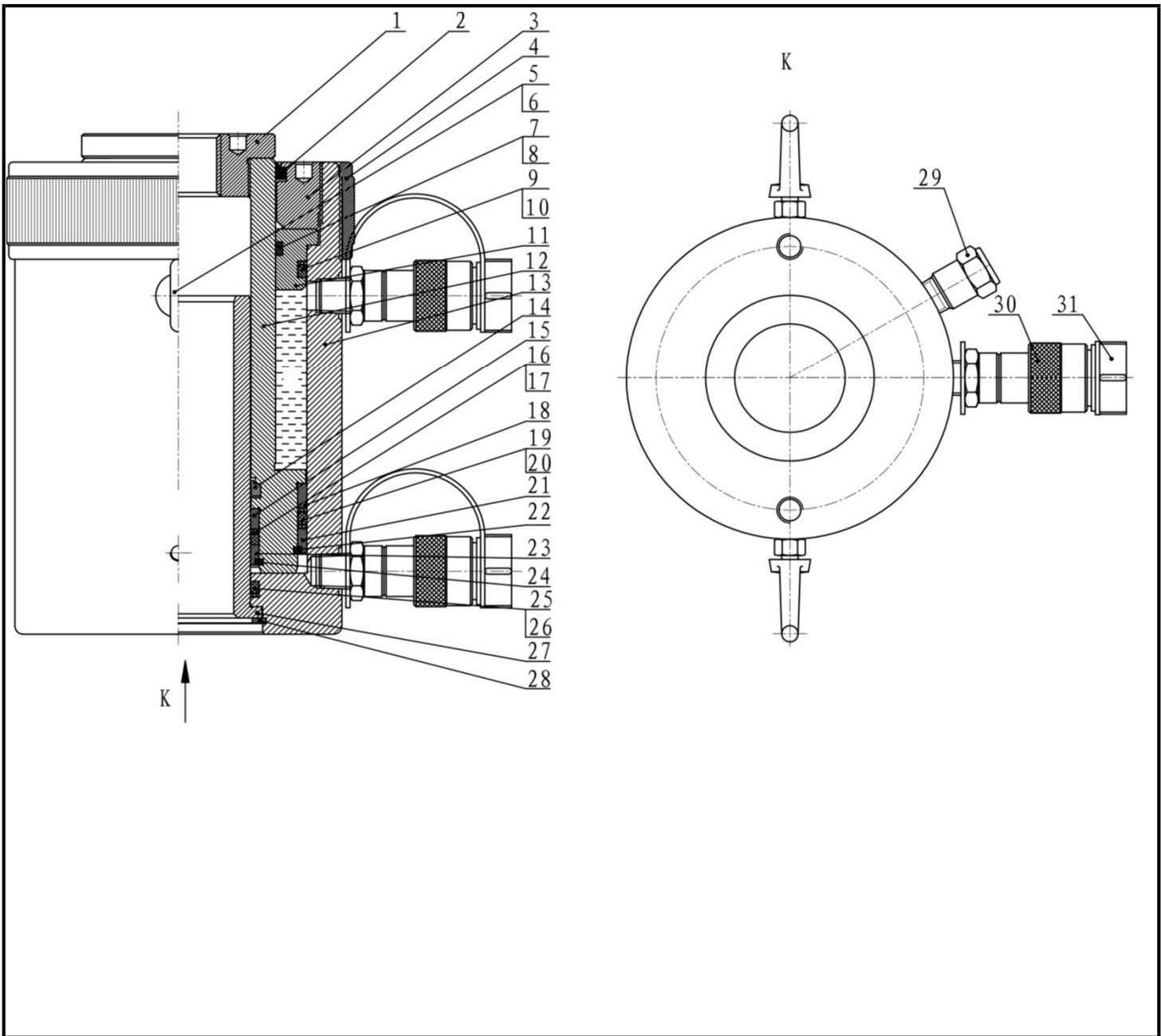


## Double-Acting Hollow Cylinders - DHC series

Doc. : L1041A Date : 2018/12



| Item NO. | Description                             | Qty | Part NO.        |
|----------|---|-----|-----------------|
|          |   |     | DHC 1000-257    |
| 1        | Lifting head                            | 1   | 2.001.02143     |
| 2        | J-dustband                              | 1   | 1.3.001.00033   |
| 3        | Guide cap                               | 1   | 2.001.02891     |
| 4        | Thread protector                        | 1   | 2.001.02145     |
| 5        | Lifting bolt (Item #6 included)         | 2   | 1.3.009.00005   |
| 6        | Hexagon nut                             | 2   | -               |
| 7        | Backup Washer                           | 1   | ●               |
| 8        | O- ring                                 | 1   | ●               |
| 9        | Backup Washer                           | 1   | ●               |
| 10       | O- ring                                 | 1   | ●               |
| 11       | Front guide ring                        | 1   | ●               |
| 12       | Piston rod                              | 1   | 2.001.03278     |
| 13       | Oil cylinder                            | 1   | 2.001.03277     |
| 14       | J-dustband                              | 1   | 1.3.001.00002   |
| 15       | Front the inner guide ring              | 1   | 2.001.03281     |
| 16       | Backup Washer                           | 1   | ●               |
| 17       | O- ring                                 | 1   | ●               |
| 18       | Front guide sleeve                      | 1   | 2.001.03279     |
| 19       | Backup Washer                           | 2   | ●               |
| 20       | O- ring                                 | 1   | ●               |
| 21       | Back the guide sleeve                   | 1   | ●               |
| 22       | Semi-ring                               | 1   | 2.001.02898     |
| 23       | Back the inner guide sleeve             | 1   | 2.001.03282     |
| 24       | Inner semi-ring                         | 1   | 2.001.02900     |
| 25       | Backup Washer                           | 1   | ●               |
| 26       | O- ring                                 | 1   | ●               |
| 27       | Centre hole                             | 1   | 2.001.03283     |
| 28       | Circlips for holes                      | 1   | 1.3.017.00016   |
| 29       | Safety valve                            | 1   | ●               |
| 30       | Female connector                        | 2   | 1.3.025.00004   |
| 31       | Connector protective jacket for NPT3/8" | 2   | 1.3.097.00002   |
| ●        | Repair kit                              | 1   | DHC 1000-257-RK |