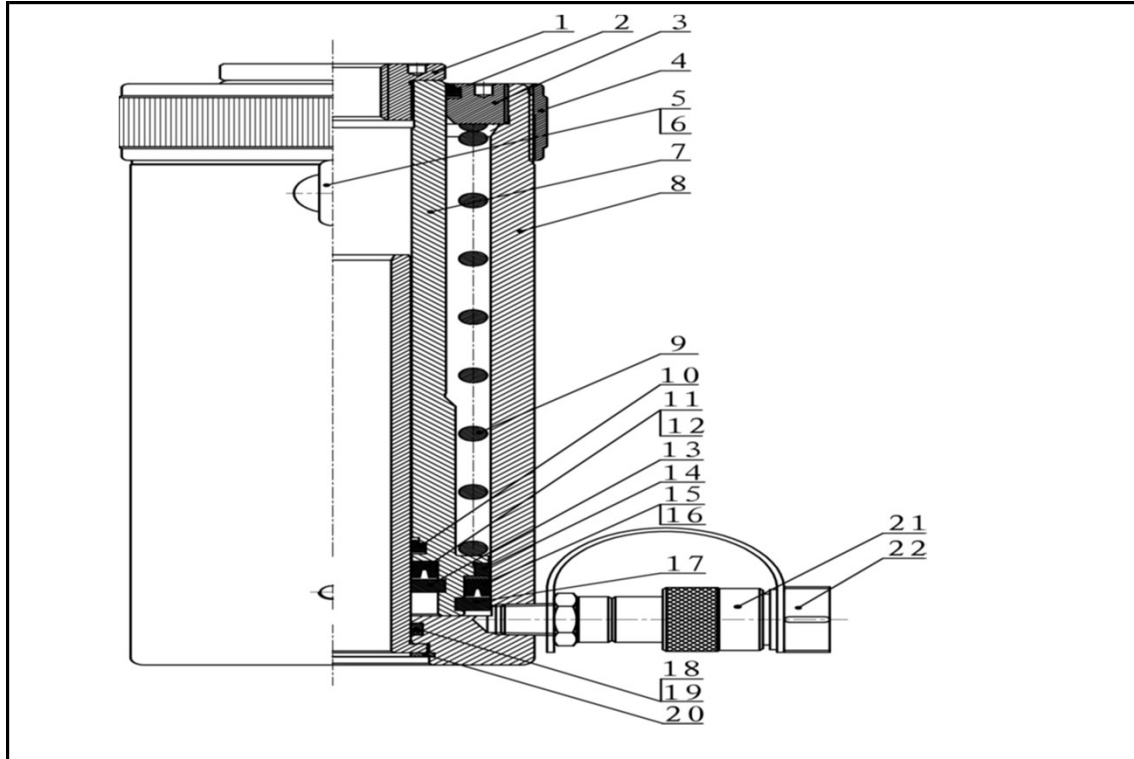


Single-Acting Hollow Cylinders - SHC

Doc.: L1047A Date: 2019/01



Item NO.	Description	Qty	Part NO.
			SHC300-155
1	Lifting head	1	2.001.02127
2	J-dustband	1	1.3.001.00027
3	Guide cap	1	2.001.02128
4	Thread protector	1	2.001.02134
5	Lifting bolt (Item #6 included)	2	1.3.009.00004
6	Hexagon nut	2	1.3.071.00007
7	Piston rod	1	2.001.02130
8	Oil cylinder	1	2.001.02129
9	Returning spring	1	1.3.011.00071
10	J-dustband	1	1.3.001.00031
11	/	/	/
12	U- ring	1	●
13	Back the inner guide sleeve	1	●
14	Front guide sleeve	1	2.001.02131
15	gasket 1	1	2.001.02135
16	U- ring	1	●
17	Back guide sleeve	1	●
18	Backup Washer	1	●
19	O- ring	1	●
20	Centre hole	1	2.001.02136
21	Circlips for holes	1	●
22	Female connector	1	1.3.025.00004
23	Connector protective jacket for NPT3/8"	1	1.3.097.00002
●	Repair kit	1	SHC300-155-RK