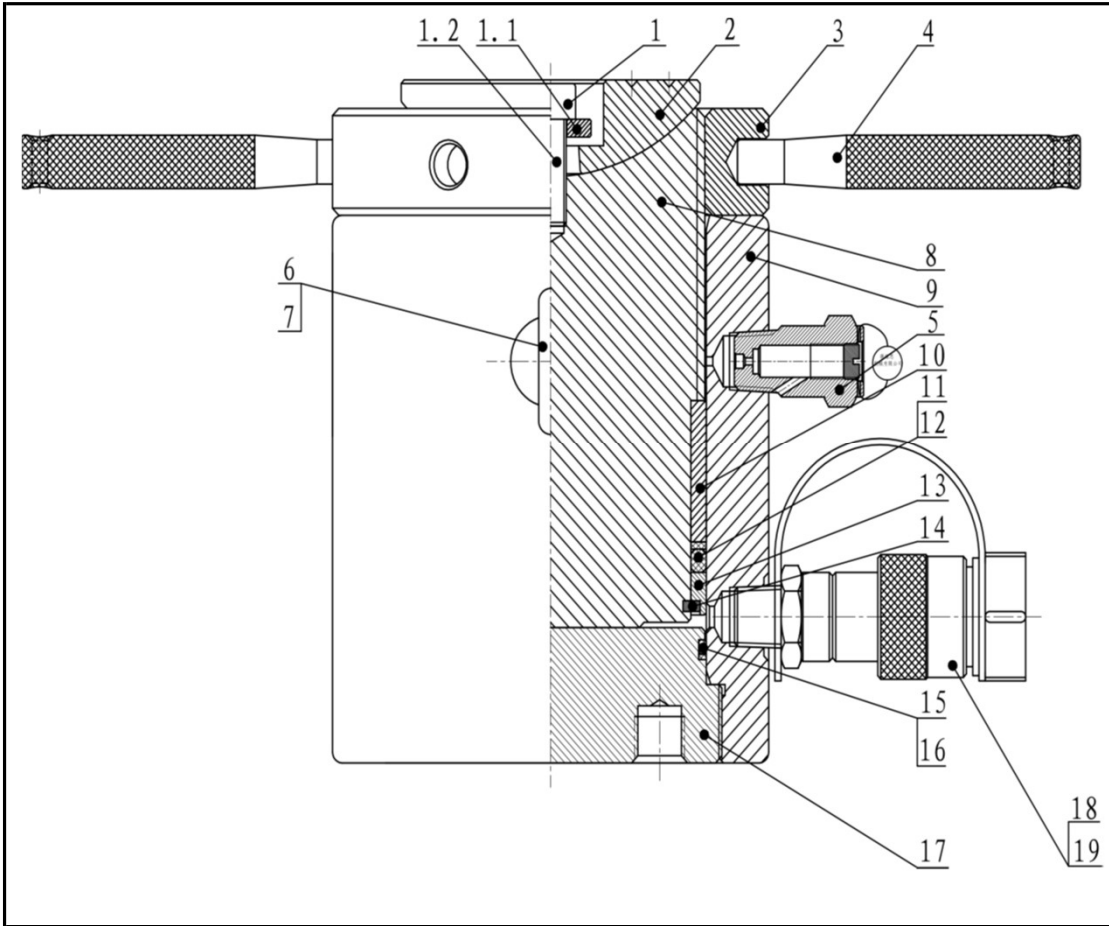


Single-Acting High Tonnage Lock-Nut Cylinders - SHTL

Doc. : L1051A Date : 2019/01



Item NO.	Description	Qty	Part NO.							
			SHTL50-50	SHTL50-100	SHTL50-150	SHTL50-200	SHTL50-300			
1	Screw components	1								
2	Lifting head	1							2.001.02727	
3	Lock ring	1							2.001.02920	
4	Handle	2							2.001.02649	
5	Trip Limit valve	1							2.008.00050	
6	Lifting bolt (Item #7 included)	2							1.3.009.00004	
7	Hexagon nut	2							-	
8	Piston rod	1							2.001.00511 (SHTL50-50)	
		1							2.001.03361 (SHTL50-100)	
		1							2.001.00785 (SHTL50-150)	
		1							2.001.03363 (SHTL50-200)	
		1							2.001.03365 (SHTL50-300)	
9	Oil cylinder	1							2.001.00513 (SHTL50-50)	
		1							2.001.03360 (SHTL50-100))	
		1							2.001.00786 (SHTL50-150)	
		1							2.001.03362 (SHTL50-200)	
		1							2.001.03364 (SHTL50-300)	
10	Front guide sleeve	1						2.001.02921		
11	Backup Washer	1						●		
12	O-ring	1						●		
13	Back guide sleeve	1						2.001.00143		
14	Semi-ring	1						2.001.00014		
15	Backup Washer	1						●		
16	O-ring	1						●		
17	Bottom cap	1						2.001.00069		
18	Female connector	1						1.3.025.00004		
19	Connector protective jacket for NPT3/8"	1						1.3.097.00002		
●	Repair kit	1						SHTL50-RK		