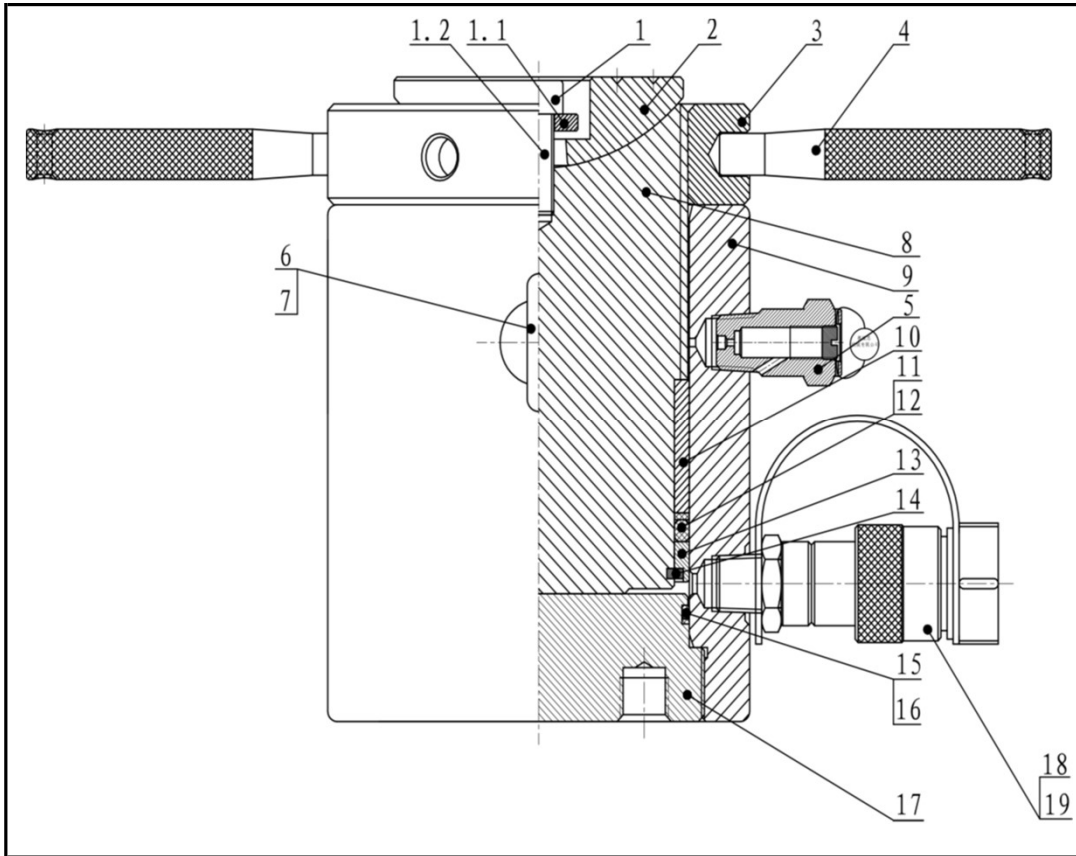


Single-Acting High Tonnage Lock-Nut Cylinders - SHTL

Doc. : L1052A Date : 2019/01



Item NO.	Description	Qty	Part NO.			
			SHTL100-50	SHTL100-100	SHTL100-150	SHTL100-200
1	Screw components	1			2.025.00010	
2	Lifting head	1			2.001.02718	
3	Lock ring	1			2.001.00397	
4	Handle	2			2.001.02649	
5	Trip Limit valve	1			2.008.00050	
6	Lifting bolt (Item #7 included)	2			1.3.009.00005	
7	Hexagon nut	2			1.3.071.00002	
8	Piston rod	1			2.001.00405 (SHTL100-50)	
		1			2.001.03357 (SHTL100-100)	
		1			2.001.00367 (SHTL100-150)	
		1			2.001.00399 (SHTL100-200)	
9	Oil cylinder	1			2.001.00406 (SHTL100-50)	
		1			2.001.03358 (SHTL100-100)	
		1			2.001.00375 (SHTL100-150)	
		1			2.001.00400 (SHTL100-200)	
10	Front guide sleeve	1			2.001.00401	
11	Backup Washer	1			●	
12	O-ring	1			●	
13	Back guide sleeve	1			2.001.00139	
14	Semi-ring	1			2.001.00009	
15	Backup Washer	1			●	
16	O-ring	1			●	
17	Bottom cap	1			2.001.00403	
18	Female connector	1			1.3.025.00004	
19	Connector protective jacket for NPT3/8"	1			1.3.097.00002	
●	Repair kit	1			SHTL100-RK	