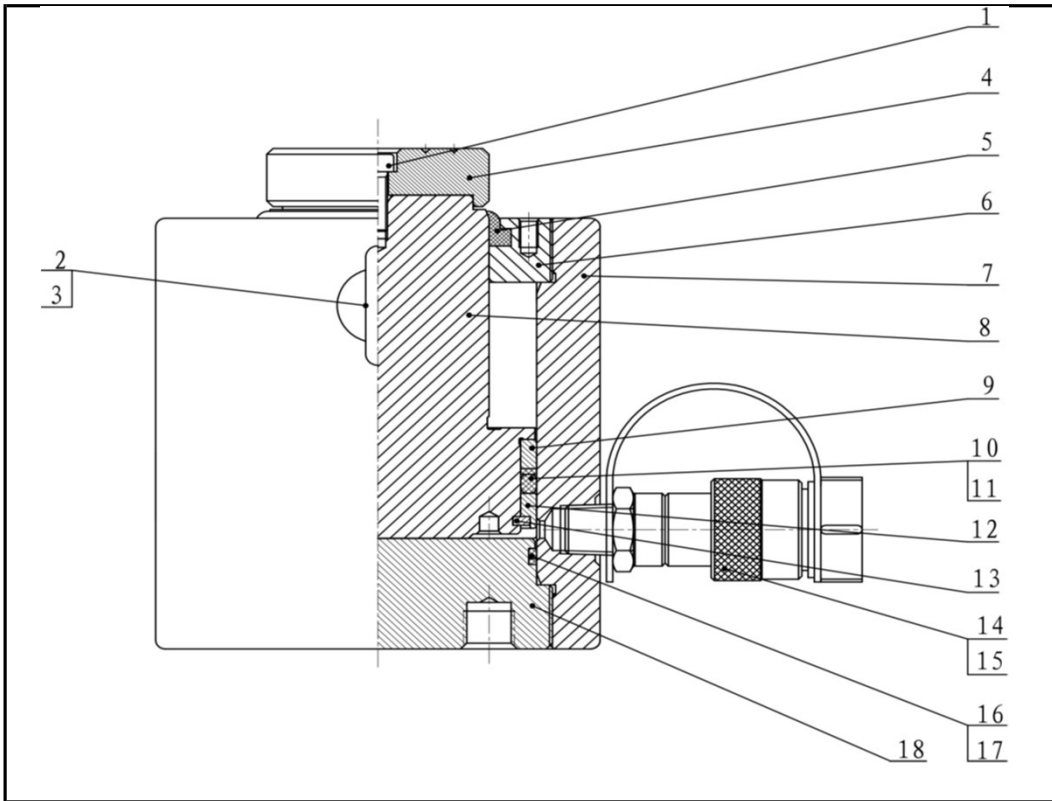


Single-Acting High Tonnage Cylinders - SHT series

Doc. : L1058A Date : 2019/01



Item NO.	Description	Qty	Part NO.						
			SHT50-50	SHT50-100	SHT50-150	SHT50-200	SHT50-300		
1	Hexagon socket head cap screws	1					●		
2	Lifting bolt (Item #3 included)	2					1.3.009.00004		
3	Hexagon nut	2					-		
4	Lifting head	1					2.001.00096		
5	J-dustband	1					1.3.001.00010		
6	Guide cap	1					2.001.02916		
7	Oil cylinder	1					2.001.03321 (SHT50-50)		
		1					2.001.03322 (SHT50-100)		
		1					2.001.02918 (SHT50-150)		
		1					2.001.03324 (SHT50-200)		
		1					2.001.03338 (SHT50-300)		
8	Piston rod	1					2.001.03320 (SHT50-50)		
		1					2.001.03323 (SHT50-100)		
		1					2.001.02919 (SHT50-150)		
		1					2.001.03325 (SHT50-200)		
		1					2.001.03339 (SHT50-300)		
9	Front guide sleeve	1					2.001.02917		
10	Backup Washer	1					●		
11	O-ring	1					●		
12	Back guide sleeve	1					2.001.00143		
13	Semi-ring	1					2.001.00014		
14	Female connector	1					1.3.025.00004		
15	Connector protective jacket for NPT3/8"	1					1.3.097.00002		
16	Backup Washer	1					●		
17	O-ring	1					●		
18	Bottom cap	1					2.001.00069		
●	Repair kit	1					SHT50-RK		