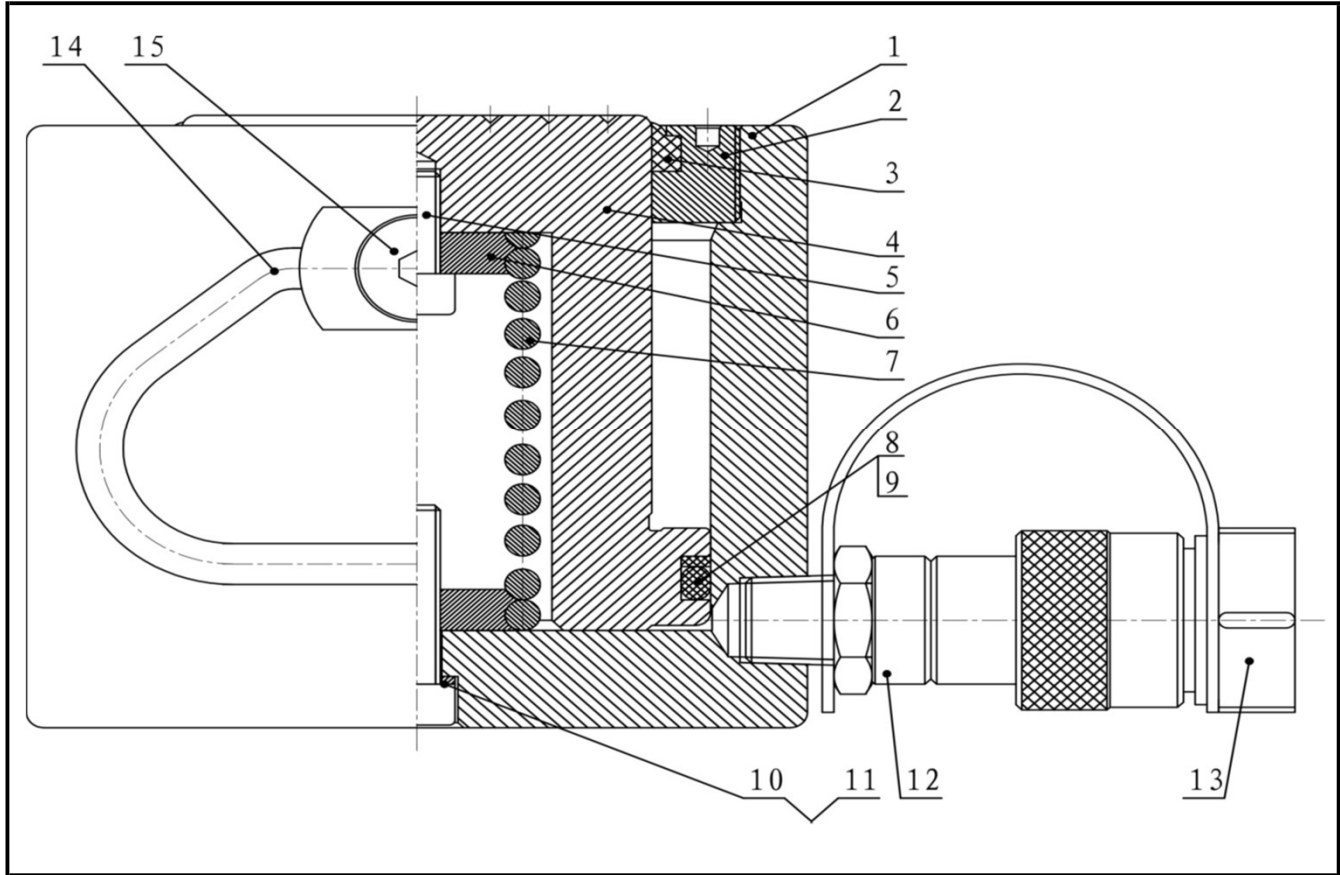


Single-Acting Low Flat Cylinders - SLC

Doc. : L1070A Date : 2019/01



Item NO.	Description	Qty	Part NO.
			SLC50-60
1	Oil cylinder	1	2.001.00294
2	Guide cap	1	2.001.00050
3	J-dustband	1	1.3.010.00021
4	Piston rod	1	2.001.00173
5	Hexagon socket head cap screws	1	●
6	Spring connecting head	2	-
7	Returning spring (Item #6 included)	1	1.3.011.00008
8	Backup Washer	1	●
9	O - ring	1	●
10	Copper gasket	1	●
11	Hexagon socket head cap screws	1	●
12	Female connector	1	1.3.025.00004
13	Connector protective jacket for NPT3/8"	1	1.3.097.00002
14	Hand carry vice	2	2.009.00001
15	Inner hexagon countersunk head screws	2	1.3.026.00010
●	Repair kit	1	SLC50-60-RK