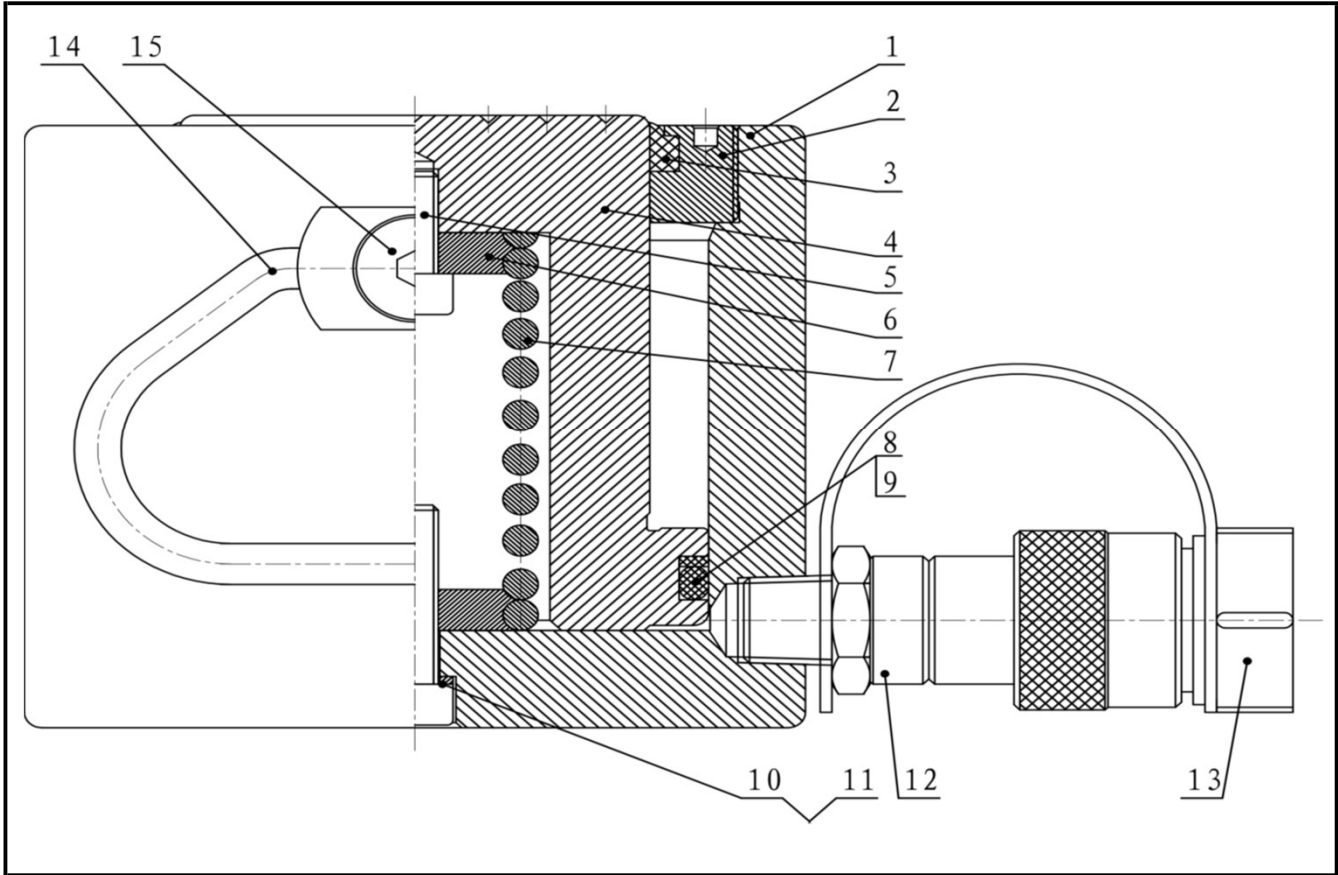


Single-Acting Low Flat Cylinders - SLC

Doc. : L1071A Date : 2019/01



Item NO.	Description	Qty	Part NO.
			SLC75-50
1	Oil cylinder	1	2.001.01602
2	Guide cap	1	2.001.00057
3	J-dustband	1	1.3.001.00002
4	Piston rod	1	2.001.01603
5	Hexagon socket head cap screws	1	●
6	Spring connecting head	2	-
7	Returning spring (Item #6 included)	1	1.3.011.00042
8	Backup Washer	1	●
9	O - ring	1	●
10	Copper gasket	1	●
11	Hexagon socket head cap screws	1	●
12	Female connector	1	1.3.025.00004
13	Connector protective jacket for NPT3/8"	1	1.3.097.00002
14	Lifting bolt (Item #15 included)	2	1.3.009.00004
15	Hexagon nut	2	1.3.071.00007
●	Repair kit	1	SLC75-50-RK