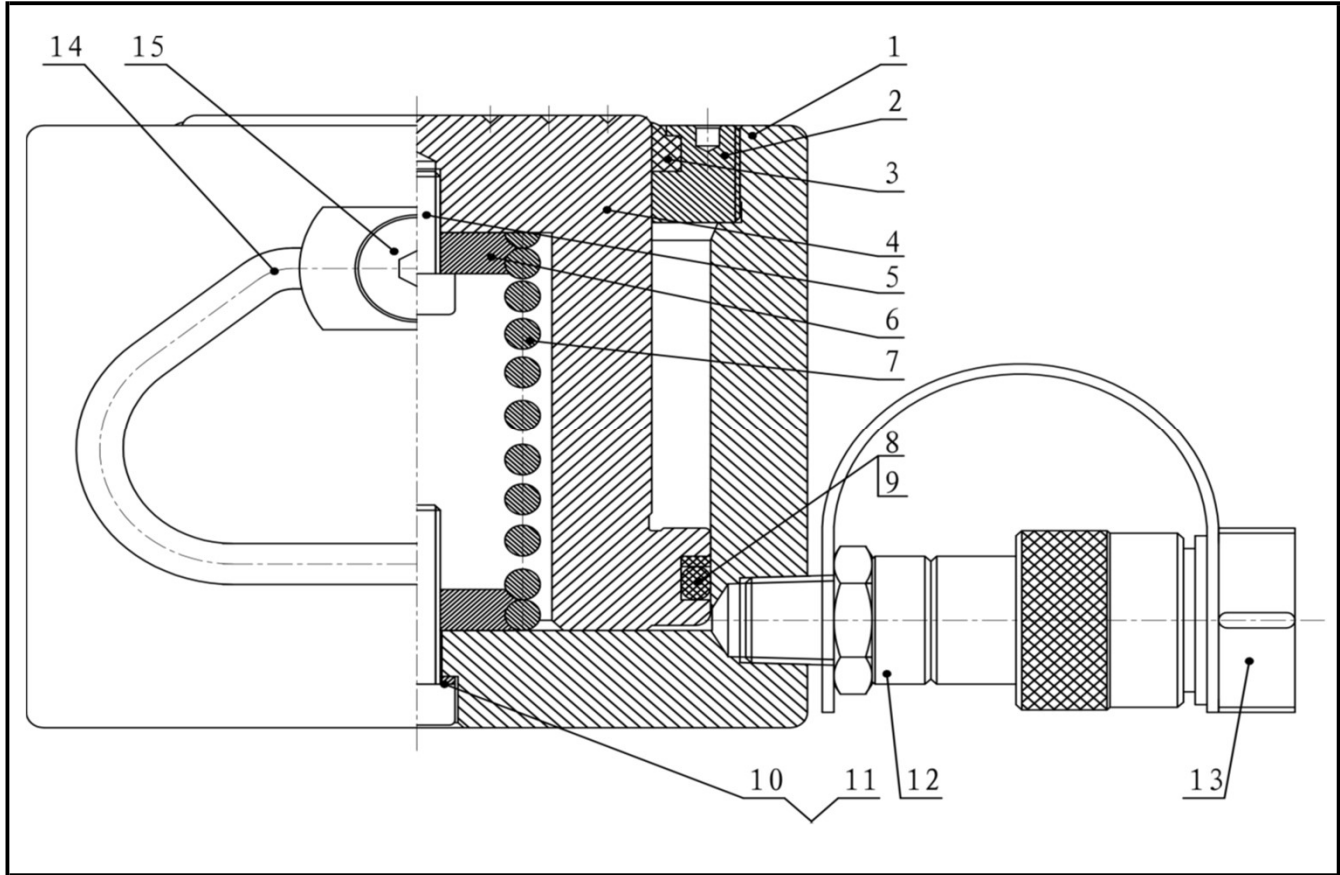


Single-Acting Low Flat Cylinders - SLC

Doc. : L1073A Date : 2019/01



Item NO.	Description	Qty	Part NO.
			SLC150-51 / SLC150-80
1	Oil cylinder	1	2.001.00291 (SLC150-51)
		1	2.001.00589 (SLC150-80)
2	Guide cap	1	2.001.00053
3	J-dustband	1	1.3.001.00024
4	Piston rod	1	2.001.00170 (SLC150-51)
		1	2.001.00590 (SLC150-80)
5	Hexagon socket head cap screws	1	●
6	Spring connecting head	2	-
7	Returning spring (Item #6 included)	1	1.3.011.00010 (SLC150-51)
		1	1.3.011.00024 (SLC150-80)
8	Backup Washer	1	●
9	O - ring	1	●
10	Copper gasket	1	●
11	Hexagon socket head cap screws	1	●
12	Female connector	1	1.3.025.00004
13	Connector protective jacket for NPT3/8"	1	1.3.097.00002
14	Hand carry vice (Item #15 included)	2	2.009.00001
15	Inner hexagon countersunk head screws	2	1.3.026.00002
16	Lifting bolt (Item #17 included)	2	1.3.009.00005
17	Hexagon nut	2	1.3.071.00002
●	Repair kit	1	SLC150-RK