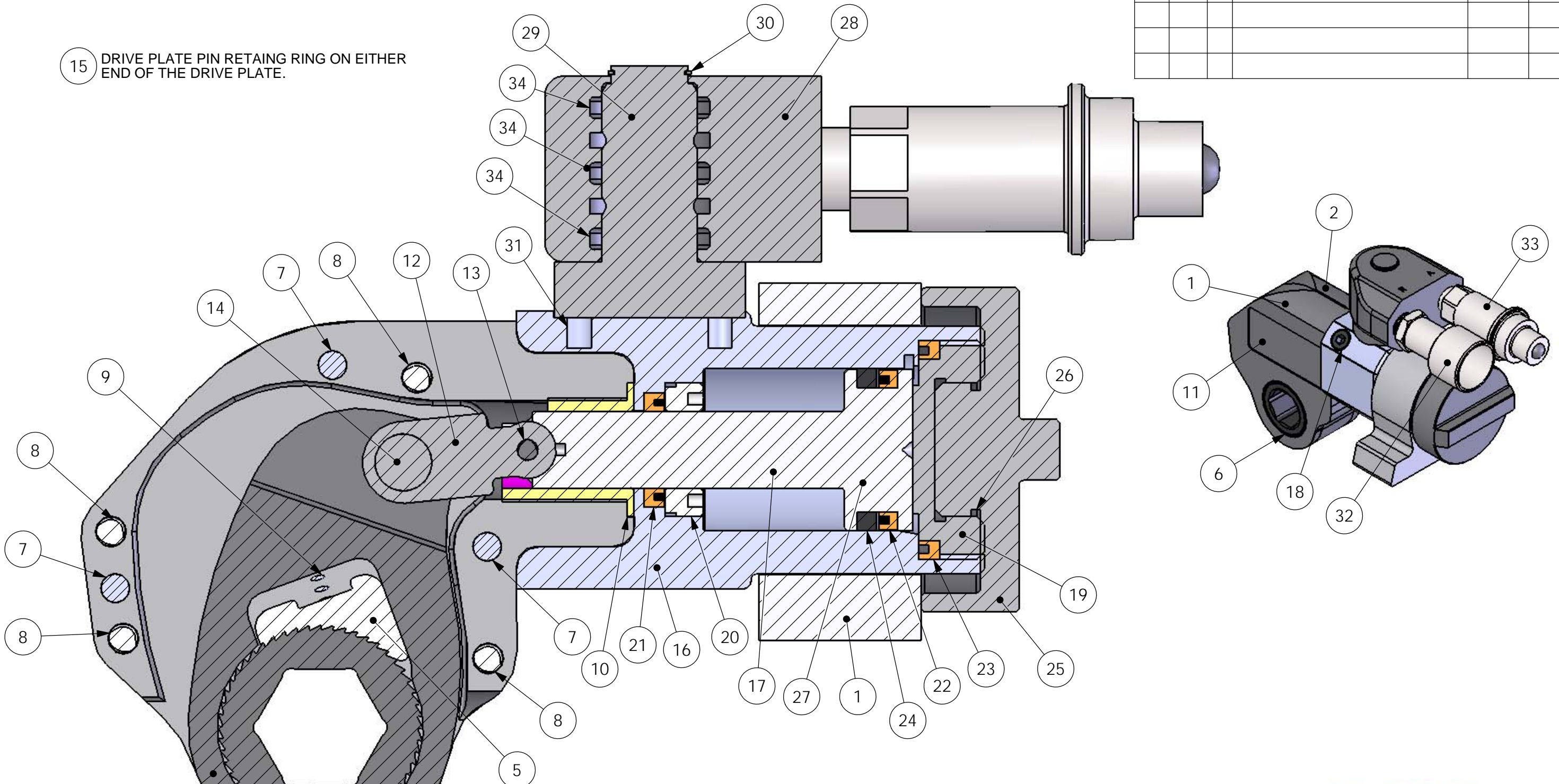


REVISIONS

ECN #	ZONE	REV.	DESCRIPTION	DATE	APPROVED

15 DRIVE PLATE PIN RETAINING RING ON EITHER END OF THE DRIVE PLATE.




SOFTWARE: SOLID WORKS	DATE	NAME
UNLESS OTHERWISE SPECIFIED: DIMENSIONS ARE IN INCHES (MM) CHAMFERS ARE IN INCHES FRACTIONAL +/- 1/32" ANGULAR +/- 1/2 DEGREE TWO PLACE DECIMAL +/- 0.01 THREE PLACE DECIMAL +/- 0.005	DRAWN BY: 10/28/2013	MR
63RMS FINISH SHOULD BE OBTAINED ON ALL SURFACES UNLESS OTHERWISE NOTED. BREAK ALL SHARP EDGES UNLESS OTHERWISE NOTED. ○ DENOTES CRITICAL DIMENSION	CHECKED BY:	
MATERIAL	BMI PART # QD20750-01	
HEAT TREAT	The information contained herein is the intellectual property of Boltech Mannings, Inc.™ ("BMI"). All information is proprietary and confidential and shall remain the exclusive property of BMI.™ This information is being provided solely for evaluation of this technology by the recipient for its permitted use and shall not be disclosed without the written consent of BMI. BMI retains all rights in and to this information, including, ideas, inventions, works of authorship, strategies, plans and data created in or resulting from discussions between BMI and Recipient, including without limitation, all patent rights, copyrights, trade secrets, trade names, moral and artistic rights, trademarks and any other intellectual property right at law or in equity.	
COATING	All Information Contained herein is Copyrighted by Boltech Mannings, Inc.™ © Boltech Mannings™, 2011	

BOLTECH MANNINGS	
The Perfect Union of People, Products and Services	
CUSTOMER:	FOREM
TITLE: QD2 3/4" HEX LINK ASSEMBLY	
DWG. NO.	REV
QD2075 ASSEMBLY	0

FRM 8-018, REV. 2	SHEET 1 OF 2
-------------------	--------------

ITEM NO.	BOLTTECH-MANNINGS PART NUMBER	QTY.	DESCRIPTION
1	QD2-001R-0750	1	HOUSING (RIGHT)
2	QD2-001L-0750	1	HOUSING (LEFT)
3	QD2-002-0750	1	DRIVE PLATE
4	QD2-003-0750	1	RATCHET WHEEL
5	QD2-004-0750	1	PAWL
6	QD2-007-0750	1	HOUSING BUSHING
7	3/16X5/8DPN	3	3/16" DIA. X 5/8" LONG DOWEL PIN
8	10-24X7/8LHCSN	4	10-24 X 7/8" LOW HEAD CAP SCREW
9	C037-M2-S17N	1	WAVE SPRING
10	QD2BB	1	BOSS BUSHING
11	QD2-NPN	1	HEX DRIVE NAME PLATE
12	QD2CR	1	CONNECTING ROD
13	6/32X1/4SHCSN	1	6/32 X 1/4 SHCS ENGAGEMENT BOLT
14	QD206E	1	DRIVE PLATE PIN
15	5100-37N	2	5100-37 DRIVE PLATE PIN RETAINING RING
16	QD201	1	QD2 CYLINDER
17	QD202BE1	1	PISTON STEM
18	QD204	4	CYLINDER HOUSING BOLT
19	QD205	1	CYLINDER END CAP
20	QD209	1	PISTON ROD BUSHING
21	1250-0500PMN	1	1250-0500 SEAL
22	1250-0812PMN	1	1250-0812 SEAL
23	1250-1187PMN	1	1250-1187 SEAL
24	QD2S04	1	PISTON WEAR RING
25	QD2RB06	1	REACTION BAR CLAMP
26	9452K28	1	REACTION CLAMP BAR O-RING
27	QD202BE2	1	PISTON BASE
28	SWS3	1	SWIVEL BODY
29	SWS10-S	1	SWIVEL POST
30	WS-50N	1	SWIVEL BODY RETAINING RING
31	M4X10MMLHCSN	6	M4 X 10MMLHCS HOUSING BOLT
32	SW05N	1	PVS-04-04C FEMALE QUICK CONNECT
33	SW06N	1	PVS0404NN MALE QUICK CONNECT
34	114-9250	3	114-9250 90 DUROMETER SEAL

REVISIONS					
ECN #	ZONE	REV.	DESCRIPTION	DATE	APPROVED

SOFTWARE: SOLID WORKS	DATE	NAME	 The Perfect Union of People, Products and Services	
<small>UNLESS OTHERWISE SPECIFIED: DIMENSIONS ARE IN INCHES/[MM] CHAMFERS ARE IN INCHES. FRACTIONAL +/- 1/32" ANGULAR +/- 1/2 DEGREE TWO PLACE DECIMAL +/- 0.01 THREE PLACE DECIMAL +/- 0.005</small>	DRAWN BY: 10/28/2013	MR		
<small>63RMS FINISH SHOULD BE OBTAINED ON ALL SURFACES UNLESS OTHERWISE NOTED. BREAK ALL SHARP EDGES UNLESS OTHERWISE NOTED. ○ DENOTES CRITICAL DIMENSION</small>	BMI PART # QD20750-01		CUSTOMER: FOREM	
MATERIAL: N/A	<small>The information contained herein is the intellectual property of Bolttech Mannings, Inc.™ ("BMI"). All information is proprietary and confidential and shall remain the exclusive property of BMI.™ This information is being provided solely for evaluation of this technology by the recipient for its permitted use and shall not be disclosed without the written consent of BMI. BMI retains all rights in and to this information, including, ideas, inventions, works of authorship, strategies, plans and data created in or resulting from discussions between BMI and Recipient, including without limitation, all patent rights, copyrights, trade secrets, trade names, moral and artistic rights, trademarks and any other intellectual property right at law or in equity.</small>		TITLE: QD2 3/4" HEX LINK ASSEMBLY	
HEAT TREAT: N/A			DWG. NO. QD2075 ASSEMBLY	REV 0
COATING: N/A			<small>All Information Contained herein is Copyrighted by Bolttech Mannings, Inc.™ © Bolttech Mannings™, 2011</small>	
FRM 8-018, REV. 2			SHEET 2 OF 2	