

DRC SERIES

Double-Acting High Tonnage Cylinders



Capacity: 50-800tons

Stroke: 1.97-11.81inch

Max. Pressure: 10,000psi

Pump Selection

Selection appropriate pumps for offer optimum combination. For details, please refer to the section " hydraulic pumps ".



Features

- Double acting, for positive retraction.
- Hard chrome plated high quality steel plungers.
- Plunger wiper reduces contamination, extending cylinder life.
- The exclusive guide Ring is designed absorbs eccentric loading without galling cylinder parts, reduces wear and extending life.
- Built-in safety valve prevents accidental over-pressurization.
- Special painted surface to increase corrosion resistance.
- Easy fixturing with base mounting holes.
- All model include quick couplings (NPT3/8" -18) and dust-proof cap.
- Removable hardened saddles protect plunger during lifting and pressing.
- According to different work environment, special cylinder could be customized.

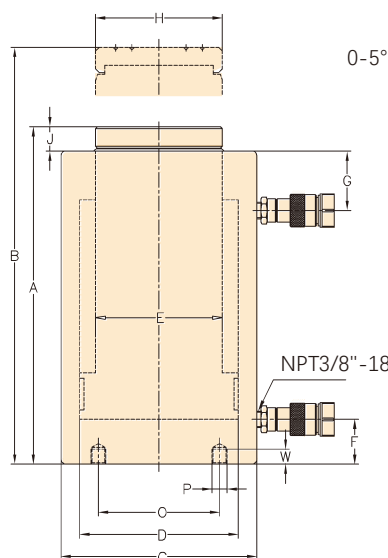
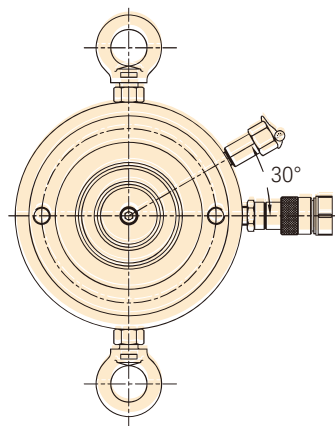
Hoses

Select AIPI high quality high pressure hoses. For details, please refer to the section " hydraulic components ".



Flow control one-way check valve (Optional)

To prevent the hydraulic cylinder from retracting in an instant and realize jacking at any position, a flow control one-way check valve can be selected to realize self-locking.



Optional Tilt Saddle

Quick Selection Chart

Cylinder Capacity	Stroke	Model Number	Max. Cylinder Capacity		Oil Capacity		Collapsed Height	Extend Height	Outside Dia.	Cylinder Bore Dia.	Plunger Dia.	Weight
			Advance	Retract	Advance	Retract	A	B	C	D	E	
			(ton)	(ton)	(in ³)	(in ³)	(inch)	(inch)	(inch)	(inch)	(inch)	
50	1.97	DRC50-50	55	25.5	24.0	12.2	7.40	9.37	5.50	3.94	2.76	47
	3.94	DRC50-100	55	25.5	47.8	24.4	9.37	13.30	5.50	3.94	2.76	57
	5.91	DRC50-150	55	25.5	71.8	36.6	11.34	17.24	5.50	3.94	2.76	68
	7.87	DRC50-200	55	25.5	95.7	48.8	13.30	21.18	5.50	3.94	2.76	77
	9.84	DRC50-250	55	25.5	119.6	61.0	15.27	25.12	5.50	3.94	2.76	88
	11.81	DRC50-300	55	25.5	143.5	73.2	17.24	29.06	5.50	3.94	2.76	97
100	1.97	DRC100-50	107.7	49	47.0	23.0	8.50	10.47	7.40	5.50	3.94	93
	3.94	DRC100-100	107.7	49	94.0	46.0	10.47	14.40	7.40	5.50	3.94	108
	5.91	DRC100-150	107.7	49	141.0	69.0	12.44	18.35	7.40	5.50	3.94	123
	7.87	DRC100-200	107.7	49	188.0	92.0	14.40	22.28	7.40	5.50	3.94	139
	9.84	DRC100-250	107.7	49	235.0	115.0	16.38	26.22	7.40	5.50	3.94	147
	11.81	DRC100-300	107.7	49	282.0	138.0	18.35	30.16	7.40	5.50	3.94	154
150	1.97	DRC150-50	158.8	79.7	69.2	34.5	8.90	10.87	8.98	6.70	4.72	146
	3.94	DRC150-100	158.8	79.7	138.5	69.0	10.87	14.80	8.98	6.70	4.72	172
	5.91	DRC150-150	158.8	79.7	207.7	103.5	12.83	18.74	8.98	6.70	4.72	198
	7.87	DRC150-200	158.8	79.7	277.0	137.9	14.80	22.68	8.98	6.70	4.72	225
	9.84	DRC150-250	158.8	79.7	346.2	172.4	16.77	26.62	8.98	6.70	4.72	251
	11.81	DRC150-300	158.8	79.7	415.3	206.9	18.74	30.55	8.98	6.70	4.72	278
200	3.94	DRC200-100	219.8	87.5	191.7	83.8	11.65	15.59	10.55	7.87	5.90	213
	5.91	DRC200-150	219.8	87.5	287.5	125.8	13.62	19.53	10.55	7.87	5.90	267
	7.87	DRC200-200	219.8	87.5	383.4	167.7	15.59	23.46	10.55	7.87	5.90	291
	11.81	DRC200-300	219.8	87.5	575.0	251.5	19.53	31.34	10.55	7.87	5.90	342
300	3.94	DRC300-100	343.4	165.4	299.4	144.2	12.87	16.80	12.60	9.84	7.09	397
	7.87	DRC300-200	343.4	165.4	598.8	288.4	16.80	24.69	12.60	9.84	7.09	485
	11.81	DRC300-300	343.4	165.4	898.0	432.6	20.75	32.56	12.60	9.84	7.09	573
400	3.94	DRC400-100	430.8	165	375.5	143.7	13.98	17.90	14.57	11.02	8.27	562
	7.87	DRC400-200	430.8	165	751.0	287.4	17.90	25.79	14.57	11.02	8.27	683
	11.81	DRC400-300	430.8	165	1126.6	431.0	21.85	33.66	14.57	11.02	8.27	827
500	3.94	DRC500-100	511.4	194.8	490.5	191.2	14.76	18.70	16.54	12.60	9.84	719
	7.87	DRC500-200	511.4	194.8	981.0	382.4	18.70	26.57	16.54	12.60	9.84	794
	11.81	DRC500-300	511.4	194.8	1471.5	573.6	22.64	34.45	16.54	12.60	9.84	1019
600	3.94	DRC600-100	630	248.8	620.9	245.3	17.17	21.10	19.70	14.17	11.02	1195
	7.87	DRC600-200	630	248.8	1241.7	490.5	21.10	28.98	19.70	14.17	11.02	1398
	11.81	DRC600-300	630	248.8	1862.6	735.8	25.04	36.85	19.70	14.17	11.02	1601
800	3.94	DRC800-100	879	288	766.8	276.0	18.78	22.72	21.65	15.75	12.60	1755
	7.87	DRC800-200	879	288	1533.7	552.0	22.72	30.59	21.65	15.75	12.60	2081
	11.81	DRC800-300	879	288	2300.5	827.8	26.65	38.46	21.65	15.75	12.60	2407

Installation Reference Datasheet

Cylinder Capacity	Stroke	Model Number	Base to Advance Port	Top to Return Port	Saddle Dia.	Saddle Protrusion from Plunger	Base Mounting hole		
			F	G	H	J	Bolt Circle	Thread	Thread Depth
			(inch)	(inch)	(inch)	(inch)	(inch)	P	W
50	1.97	DRC50-50	1.60	1.60	2.76	0.94	2.76	4-M16	0.50
	3.94	DRC50-100	1.60	1.60	2.76	0.94	2.76	4-M16	0.50
	5.91	DRC50-150	1.60	1.60	2.76	0.94	2.76	4-M16	0.50
	7.87	DRC50-200	1.60	1.60	2.76	0.94	2.76	4-M16	0.50
	11.81	DRC50-300	1.60	1.60	2.76	0.94	2.76	4-M16	0.50
100	1.97	DRC100-50	2.13	2.13	3.94	0.94	3.94	4-M20	0.63
	3.94	DRC100-100	2.13	2.13	3.94	0.94	3.94	4-M20	0.63
	5.91	DRC100-150	2.13	2.13	3.94	0.94	3.94	4-M20	0.63
	7.87	DRC100-200	2.13	2.13	3.94	0.94	3.94	4-M20	0.63
	11.81	DRC100-300	2.13	2.13	3.94	0.94	3.94	4-M20	0.63
150	1.97	DRC150-50	2.28	2.28	4.72	0.94	5.12	4-M20	0.63
	3.94	DRC150-100	2.28	2.28	4.72	0.94	5.12	4-M20	0.63
	5.91	DRC150-150	2.28	2.28	4.72	0.94	5.12	4-M20	0.63
	7.87	DRC150-200	2.28	2.28	4.72	0.94	5.12	4-M20	0.63
	11.81	DRC150-300	2.28	2.28	4.72	0.94	5.12	4-M20	0.63
200	3.94	DRC200-100	2.52	2.68	5.90	1.14	6.30	4-M24	0.94
	5.91	DRC200-150	2.52	2.68	5.90	1.14	6.30	4-M24	0.94
	7.87	DRC200-200	2.52	2.68	5.90	1.14	6.30	4-M24	0.94
	11.81	DRC200-300	2.52	2.68	5.90	1.14	6.30	4-M24	0.94
300	3.94	DRC300-100	2.90	3.00	7.09	1.38	8.66	4-M24	0.94
	7.87	DRC300-200	2.90	3.00	7.09	1.38	8.66	4-M24	0.94
	11.81	DRC300-300	2.90	3.00	7.09	1.38	8.66	4-M24	0.94
400	3.94	DRC400-100	3.27	3.27	8.27	1.38	9.45	4-M24	0.94
	7.87	DRC400-200	3.27	3.27	8.27	1.38	9.45	4-M24	0.94
	11.81	DRC400-300	3.27	3.27	8.27	1.38	9.45	4-M24	0.94
500	3.94	DRC500-100	3.66	3.66	9.69	1.38	11.02	4-M24	0.94
	7.87	DRC500-200	3.66	3.66	9.69	1.38	11.02	4-M24	0.94
	11.81	DRC500-300	3.66	3.66	9.69	1.38	11.02	4-M24	0.94
600	3.94	DRC600-100	4.45	4.53	11.02	1.57	11.81	4-M24	0.94
	7.87	DRC600-200	4.45	4.53	11.02	1.57	11.81	4-M24	0.94
	11.81	DRC600-300	4.45	4.53	11.02	1.57	11.81	4-M24	0.94
800	3.94	DRC800-100	4.45	4.45	12.60	2.24	14.96	4-M24	0.94
	7.87	DRC800-200	4.45	4.45	12.60	2.24	14.96	4-M24	0.94
	11.81	DRC800-300	4.45	4.45	12.60	2.24	14.96	4-M24	0.94

- If you have any difficulty or questions in the installing process, please contact us directly.